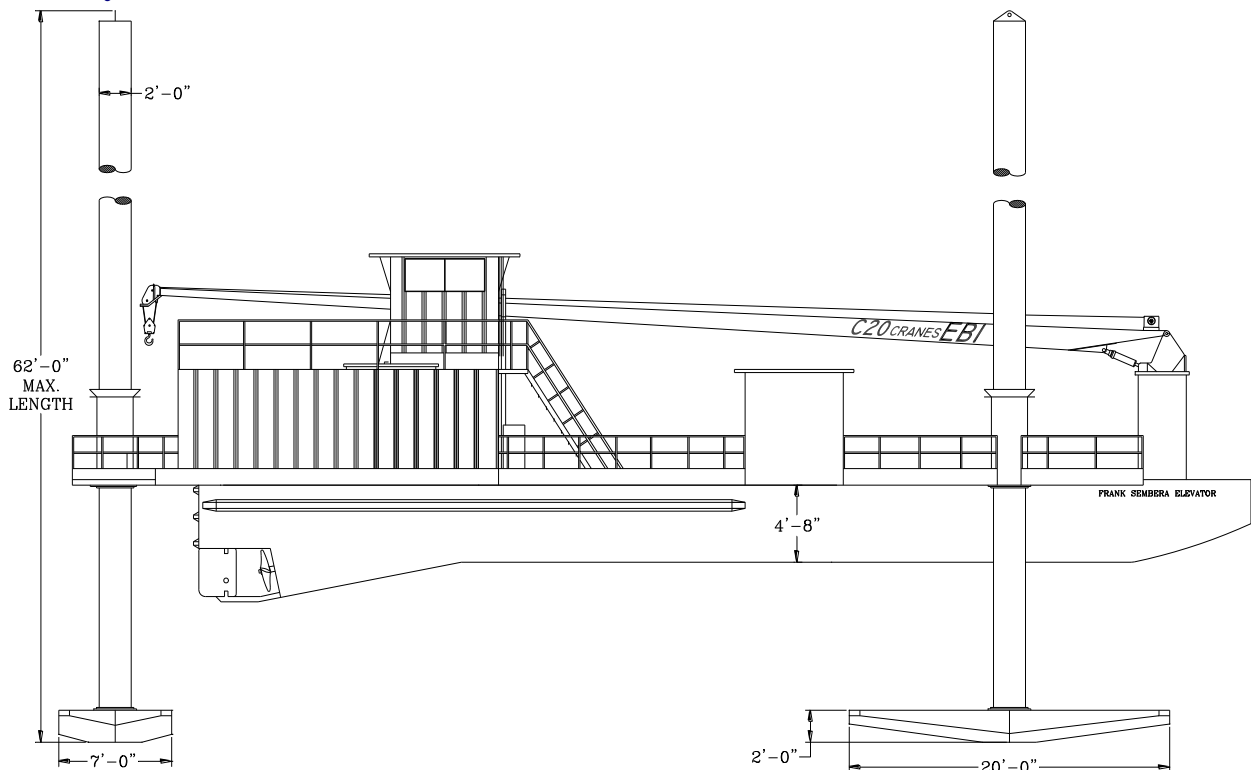


EBI LIFTBOATS

24' Wide X 65' (E) Long Hull

One of several configurations of elevating boats owned and operated by *EBI*, this boat is designed to facilitate general requirements of oil field work including, but not limited to, platform construction and maintenance, flow line construction, well maintenance, field production maintenance, seismic drilling and recording, surveying, and equipment movement and lifting. This boat, and similar ones in this category, is USCG inspected and certified. Subject to availability, all boats are ready for charter.



EQUIPMENT				MAXIMUMS & MINIMUMS			
10 ton crane w/50 ft. boom load line and 15 ft. jib extension fast line		1		Maximum water depth		45 ft.	
Crane load rated		10 ft. Radius		Minimum water depth		4 ft.	
Detroit Diesel w/Twin Disc MG509 (2:1 ratio) reverse gears		2		Maximum wave depth		6 ft.	
SPEEDS & CAPACITIES				NAVIGATION EQUIPMENT			
Traveling speed	8 knots	Fuel capacity	1200 gallons	VHF Radio	1	Radar	1
Elevating speed	16 ft./min.	Water capacity	800 gallons	Compass	1		
Open deck area	1000 sq. ft.			Company Radio and/or Cellular Telephone can be installed.			

EBI PRODUCTS AND SPECIFICATIONS ARE SUBJECT TO CHANGE WITHOUT NOTICE OR OBLIGATIONS.

ELEVATING BOATS LLC

EBI Liftboats, LLC. - 124 Finish Line Lane - Houma, LA 70360

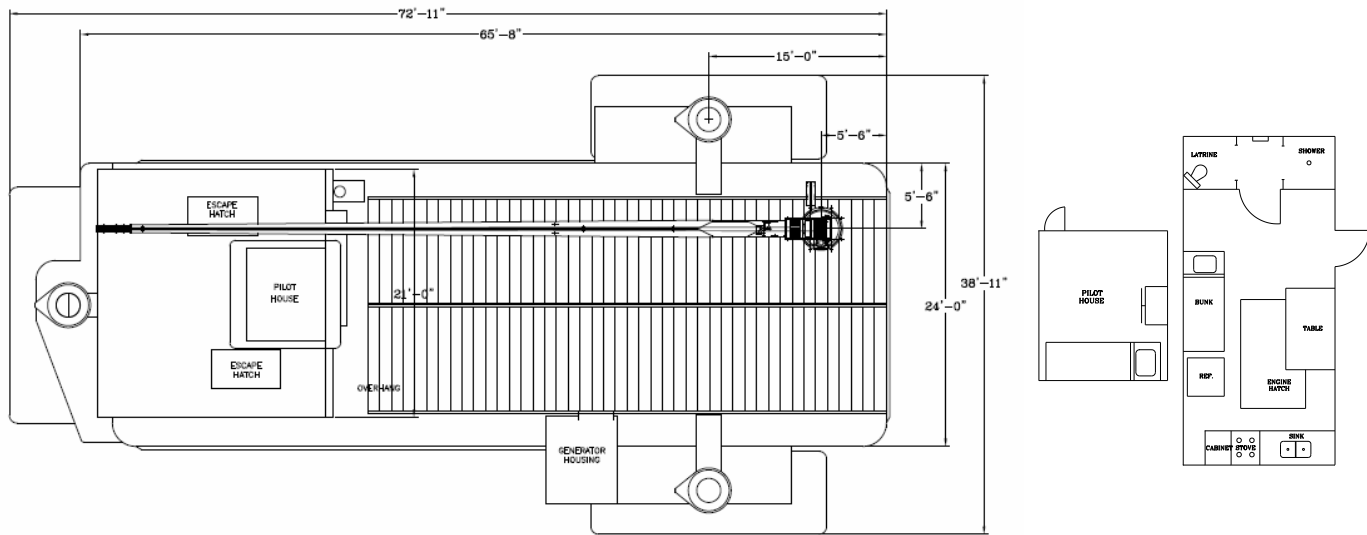
Phone: (985) 868-9655 Fax: (985) 868-9656

Email: postmaster@ebi-inc.com



Website: www.ebi-inc.com

24' Wide X 65' (E) Long Elevating Boat Cabin and Deck Layout



SPECIFICATIONS

60,000 lb. Deckload Capacity / Cabin Located on Bow / 1 Crane

<i>DIMENSIONS:</i>		<i>ELEVATING:</i>		<i>CAPACITIES:</i>	
Length of hull	65 feet	Maximum leg extension, bottom of hull to bottom of pad	(B) Feet	Fuel	1200 gallons
Beam of hull	24 feet	Maximum working water depth	(C) feet	Potable water	800 gallons
Depth of hull	4.5 feet	Recommended air gap allowed	8 feet	<i>LIVING QUARTERS:</i>	
Length overall	73 feet	Maximum sea conditions	6 feet	Bunks for boat crew	2
Beam overall	39 feet	Speed elevating	16 feet/min.	Bunks for work crew	(G)
Draft	4 feet	<i>PROPULSIONS:</i>		Shower (s)	1
Open deck area (approximately)	1000 sq. feet	Main engines (twin screw)	(D)	Lavatory (s)	2
<i>LEGS:</i>		Rated horsepower per engine	(E)	Commode (s)	1
Number	3	Reduction gears Twin Disc MG509	2:1 ratio	Microwave	1
Length overall (including pad)	(A) feet	Speed underway (approximately)	8 knots	Refrigerator	1
Diameter	24 inches	Fuel usage at maximum RPM (gallons/hour/engine)	(F)	Stove w/oven	1
Wall thickness	.375 inches	<i>GENERATORS:</i>		Sink	1
<i>PADS:</i>		Number	1	Television w/VCR	1
Length overall	20 feet	Engine	Isuzu 4BG1	Personal lockers	8
Width overall	7 feet	Generator	Lima 30KW	Galley is equipped to cater	Yes
Depth overall	2 feet	Fuel usage (gallons/hour)	2.25	<i>DECK EQUIPMENT:</i>	
				Crane	(H)

Quarters and galley have air conditioning and heating.

SCHEDULE OF ELEVATING BOATS THIS SIZE IN OUR FLEET *

NAME	(A)	(B)	(C)	(D)	(E)	(F)	(G)	(H)
FRANK SEMBERA ELEVATOR	62	50	40	6-71N Detroit	170	8	-	10 ton w/50 ft. boom w/15 ft. jib extension

*REFER TO EBI GENERAL LIFTBOAT BROCHURE FOR ADDITIONAL SCHEDULE AND SPECIFICATIONS OF ELEVATING BOATS.

