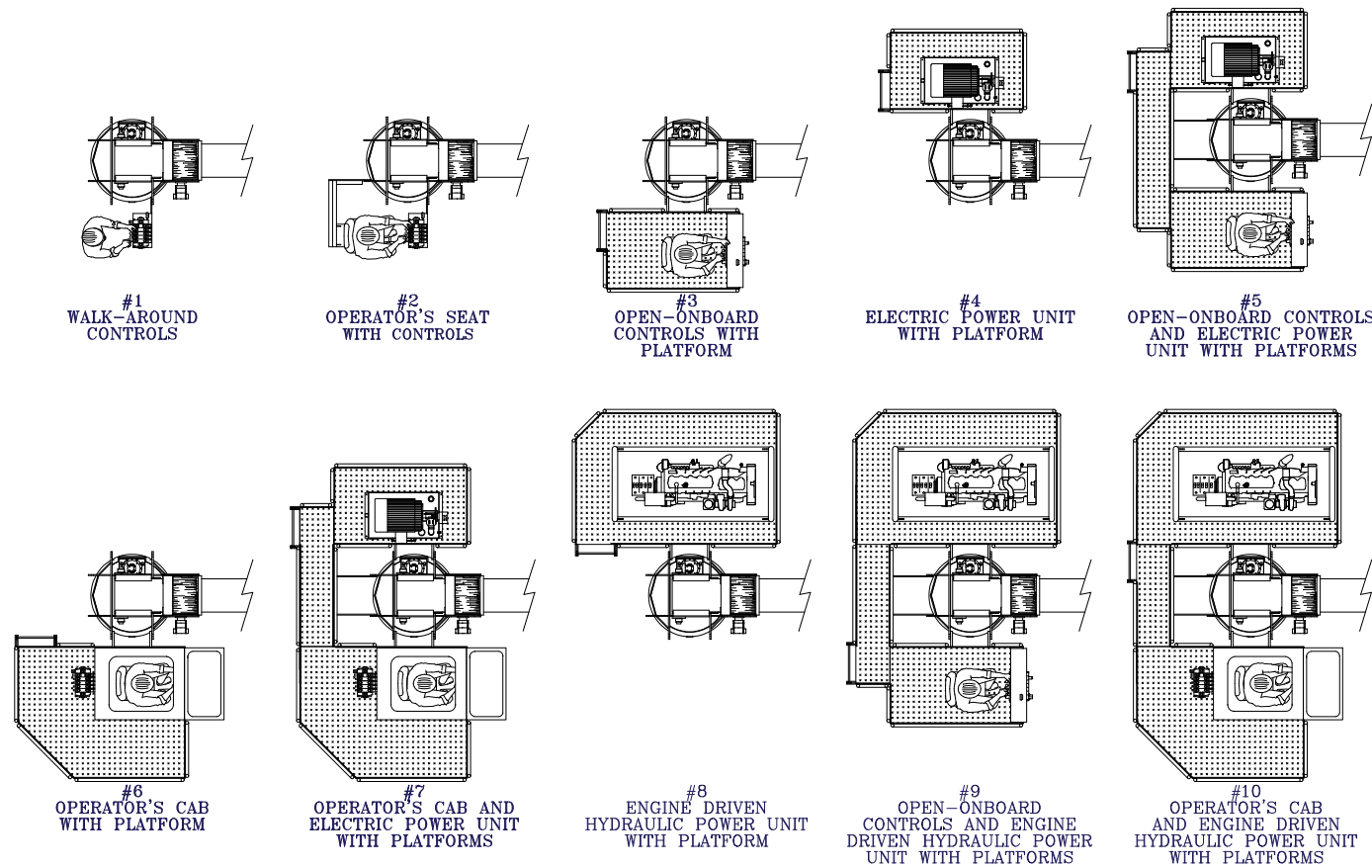


EBI CRANES

MODEL C10 FIXED BOOM CRANES AVAILABLE CONFIGURATIONS



TAIL SWING CHART @ 0° BOOM ANGLE *

CONFIGURATION	MAXIMUM TAIL SWING	CONFIGURATION	MAXIMUM TAIL SWING	CONFIGURATION	MAXIMUM TAIL SWING	CONFIGURATION	MAXIMUM TAIL SWING
1	3'-11" Radius	4	6'-9" Radius	7	8'-7" Radius	10	9'-1" Radius
2	5'-2" Radius	5	6'-9" Radius	8	9'-1" Radius	*TAIL SWING VALUES MAY BE EXCEEDED DEPENDING UPON WINCH MOUNT OPTIONS	
3	6'-9" Radius	6	8'-7" Radius	9	9'-1" Radius		



ELEVATING BOATS LLC

Corporate/EBI Liftboats, LLC. - 201 Dean Court - Houma, LA 70363
 Phone: (985) 868-9655 Fax: (985) 868-9656

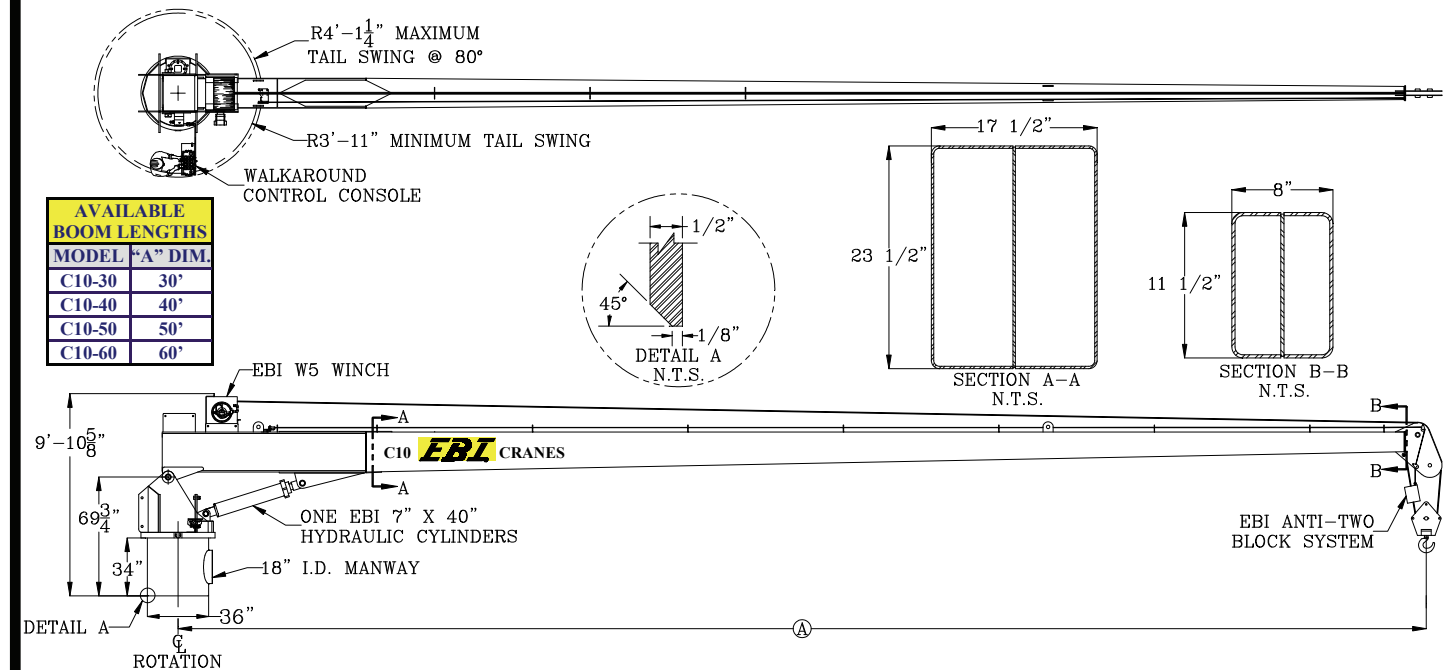
EBI Cranes, LLC. - 900 St. Bernard Pkwy. - Braithwaite, LA 70040
 Phone: (504) 682-5245 Fax: (504) 682-5296

EBI Machining, LLC. - 40495 West I-55 Service Road - Ponchatoula, LA 70454
 Phone: (985) 386-2053 Fax: (985) 386-2084

Email: postmaster@ebi-inc.com Website: www.ebi-inc.com

EBI CRANES

MODEL C10 FIXED BOOM CRANES



STANDARD EQUIPMENT:

EBI CRANES ARE LICENSED MONOGRAM CRANES UNDER API-2C SPECIFICATIONS.

EBI CRANES MEET OSHA REQUIREMENTS.

PLANETARY SWING MECHANISM WITH ADJUSTABLE MOUNT, HIGH TORQUE MOTOR AND AUTOMATIC SPRING APPLIED BRAKES.

DOUBLE HYDRAULIC SWIVEL FOR CONTINUOUS ROTATION.

INDUCTION HARDENED CHROME PLATED CYLINDER RODS.

18" I.D. MANWAY WITH BOLTED COVER.

THREE COLOR, SAFE LOAD INDICATOR GAUGE.

LOAD LINE WINCH IS DESIGNED FOR PERSONNEL HANDLING. WINCH CAPACITY IS 5000 LB. LINE PULL REEVED UP TO TWO PART LINE WITH FORGED HOOK AND SAFETY LATCH.

THREE COAT MARINE PAINT SYSTEM.

ANTI-FRICTION BEARINGS IN THE SHEAVES.

BRONZE BUSHINGS ON ALL PIVOTING POINTS.

LOAD TEST AT TWICE API OFFBOARD LOAD BEFORE SHIPPING.

OPTIONAL EQUIPMENT:

EBI CRANES TO MEET ABS AND USCG REQUIREMENTS.

CRANE CONTROL LOCATIONS

- PEDESTAL MOUNTED WALKAROUND
- REMOTELY LOCATED
- VARIOUS PLATFORM CONFIGURATIONS
- CAB MOUNTED JOY STICK TYPE

SOLAR/BATTERY POWERED BOOM BEACONS.

BOOM LIGHTING.

COMPLETE HYDRAULIC SAFETY SYSTEM DETECTING THE MOMENT INDUCED BY LOAD ON THE CRANE TO HELP PREVENT OVERLOAD CONDITION.

POWER UNITS CAN BE CRANE MOUNTED OR REMOTELY LOCATED.

POWER UNITS: ELECTRIC MOTOR, AIR MOTOR, OR DIESEL ENGINE (DETROIT DIESEL, CUMMINS, CATERPILLAR, DEUTZ AIR COOLED, ETC.).

DIESEL ENGINE STARTER SYSTEMS: ELECTRIC, AIR OR HYDRAULIC.

AIR/HYDRAULIC OIL HEAT EXCHANGER.

17-4 PH STAINLESS STEEL, HEAT TREATED, CHROME PLATED CYLINDER RODS.

440C STAINLESS STEEL, HEAT TREATED PINS.

ANTI-TWO BLOCK SYSTEM.

EMERGENCY LOAD LOWERING SYSTEM.

EBI PRODUCTS AND SPECIFICATIONS ARE SUBJECT TO CHANGE WITHOUT NOTICE OR OBLIGATIONS.

EBI Cranes, LLC.



900 St. Bernard Pkwy. Braithwaite, LA 70040
 Phone: (504) 682-5245 Fax: (985) 386-2084
 Email: cranes@ebi-inc.com Website: www.ebi-inc.com
 1-800-843-2895



MODEL C10 FIXED BOOM CRANES
(U.S. CUSTOMARY UNITS)

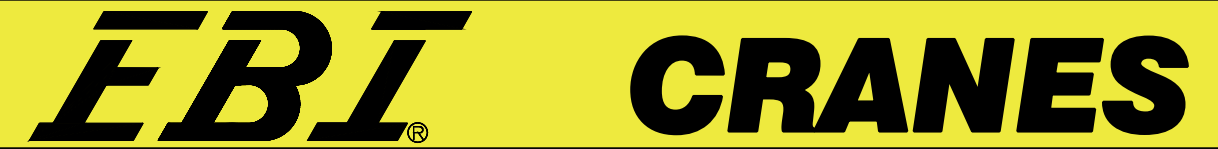
MODEL C10-30 API LOAD CHART								BASIC CRANE WEIGHT: 6,165 LBS.	
REACH (FT.)	BOOM ANGLE (DEG.)	OFFBOARD LOAD (LBS.)	ONBOARD LOAD (LBS.)	REACH (FT.)	BOOM ANGLE (DEG.)	OFFBOARD LOAD (LBS.)	ONBOARD LOAD (LBS.)	API PEDESTAL REACTIONS (REACTIONS @ 3 X OFFBOARD RATED LOAD) (OTM = OVERTURNING MOMENT)	
10	68	9750	9750	25	32	6300	9575	MAXIMUM OTM = 521,646 FT. LBS. CORRESPONDING AXIAL FORCE = 25,848 LBS. MAXIMUM AXIAL FORCE = 36,165 LBS. CORRESPONDING OTM = 469,008 FT. LBS.	
15	58	9750	9750	30	0	4200	6425		
20	46	7675	9750						

MODEL C10-40 API LOAD CHART								BASIC CRANE WEIGHT: 6,835 LBS.	
REACH (FT.)	BOOM ANGLE (DEG.)	OFFBOARD LOAD (LBS.)	ONBOARD LOAD (LBS.)	REACH (FT.)	BOOM ANGLE (DEG.)	OFFBOARD LOAD (LBS.)	ONBOARD LOAD (LBS.)	API PEDESTAL REACTIONS (REACTIONS @ 3 X OFFBOARD RATED LOAD) (OTM = OVERTURNING MOMENT)	
10	74	9750	9750	30	40	4625	7063	MAXIMUM OTM = 484,094 FT. LBS. CORRESPONDING AXIAL FORCE = 19,240 LBS. MAXIMUM AXIAL FORCE = 36,835 LBS. CORRESPONDING OTM = 311,552 FT. LBS.	
15	66	8650	9750	35	28	3875	5593		
20	58	6700	9750	40	0	2525	3913		
25	50	5550	8450						

MODEL C10-50 API LOAD CHART								BASIC CRANE WEIGHT: 7,520 LBS.	
REACH (FT.)	BOOM ANGLE (DEG.)	OFFBOARD LOAD (LBS.)	ONBOARD LOAD (LBS.)	REACH (FT.)	BOOM ANGLE (DEG.)	OFFBOARD LOAD (LBS.)	ONBOARD LOAD (LBS.)	API PEDESTAL REACTIONS (REACTIONS @ 3 X OFFBOARD RATED LOAD) (OTM = OVERTURNING MOMENT)	
10	77	9750	9750	35	44	3325	5113	MAXIMUM OTM = 440,364 FT. LBS. CORRESPONDING AXIAL FORCE = 16,835 LBS. MAXIMUM AXIAL FORCE = 37,520 LBS. CORRESPONDING OTM = 319,343 FT. LBS.	
15	71	7925	9750	40	36	2850	4400		
20	65	6025	9163	45	25	2350	3650		
25	59	4875	7438	50	0	1375	2388		
30	52	4000	6125						

MODEL C10-60 API LOAD CHART								BASIC CRANE WEIGHT: 8,230 LBS.	
REACH (FT.)	BOOM ANGLE (DEG.)	OFFBOARD LOAD (LBS.)	ONBOARD LOAD (LBS.)	REACH (FT.)	BOOM ANGLE (DEG.)	OFFBOARD LOAD (LBS.)	ONBOARD LOAD (LBS.)	API PEDESTAL REACTIONS (REACTIONS @ 3 X OFFBOARD RATED LOAD) (OTM = OVERTURNING MOMENT)	
10	80	9650	9750	40	48	2400	3725	MAXIMUM OTM = 393,078 FT. LBS. CORRESPONDING AXIAL FORCE = 16,252 LBS. MAXIMUM AXIAL FORCE = 37,930 LBS. CORRESPONDING OTM = 290,653 FT. LBS.	
15	75	7625	9750	45	41	2000	3125		
20	70	5650	8600	50	33	1625	2563		
25	65	4400	6725	55	23	1275	2038		
30	59	3450	5300	60	0	525	913		
35	54	2900	4475						

IN ACCORDANCE WITH API-2C, VALUES SHOWN ARE ACTUAL HOOK LOAD (WEIGHT OF BLOCK AND HOOK EXCLUDED).
LOAD LINE BLOCK WEIGHT IS 250 LBS.
LOAD LINE (2 PART LINE): 9/16" 19X7 EIPS IWRC; 25,000 LB. BREAKING STRENGTH; 5,000 LB. WORKING STRENGTH.
ONBOARD LOAD = 1.5 X OFFBOARD LOAD.
PEDESTAL REACTIONS ARE BASED ON THREE TIMES THE OFFBOARD LOAD PLUS DEAD LOAD



MODEL C10 FIXED BOOM CRANES
(INTERNATIONAL METRIC UNITS)

MODEL C10-30 API LOAD CHART								BASIC CRANE WEIGHT: 2,802 KGS.	
REACH (METERS)	BOOM ANGLE (DEG.)	OFFBOARD LOAD (KGS.)	ONBOARD LOAD (KGS.)	REACH (METERS)	BOOM ANGLE (DEG.)	OFFBOARD LOAD (KGS.)	ONBOARD LOAD (KGS.)	API PEDESTAL REACTIONS (REACTIONS @ 3 X OFFBOARD RATED LOAD) (OTM = OVERTURNING MOMENT)	
3.0	68	4423	4423	7.6	32	2858	4343	MAXIMUM OTM = 79 TON METERS CORRESPONDING AXIAL FORCE = 11,749 KGS. MAXIMUM AXIAL FORCE = 16,438 KGS. CORRESPONDING OTM = 71 TON METERS	
4.6	58	4423	4423	9.1	0	1905	2914		
6.1	46	3481	4423						

MODEL C10-40 API LOAD CHART								BASIC CRANE WEIGHT: 3,106 KGS.	
REACH (METERS)	BOOM ANGLE (DEG.)	OFFBOARD LOAD (KGS.)	ONBOARD LOAD (KGS.)	REACH (METERS)	BOOM ANGLE (DEG.)	OFFBOARD LOAD (KGS.)	ONBOARD LOAD (KGS.)	API PEDESTAL REACTIONS (REACTIONS @ 3 X OFFBOARD RATED LOAD) (OTM = OVERTURNING MOMENT)	
3.0	74	4423	4423	9.1	40	2098	3204	MAXIMUM OTM = 73 TON METERS CORRESPONDING AXIAL FORCE = 8,745 KGS. MAXIMUM AXIAL FORCE = 16,743 KGS. CORRESPONDING OTM = 47 TON METERS	
4.6	66	3924	4423	10.7	28	1758	2537		
6.1	58	3039	4423	12.2	0	1145	1775		
7.6	50	2517	3833						

MODEL C10-50 API LOAD CHART								BASIC CRANE WEIGHT: 3,418 KGS.	
REACH (METERS)	BOOM ANGLE (DEG.)	OFFBOARD LOAD (KGS.)	ONBOARD LOAD (KGS.)	REACH (METERS)	BOOM ANGLE (DEG.)	OFFBOARD LOAD (KGS.)	ONBOARD LOAD (KGS.)	API PEDESTAL REACTIONS (REACTIONS @ 3 X OFFBOARD RATED LOAD) (OTM = OVERTURNING MOMENT)	
3.0	77	4423	4423	10.7	44	1508	2319	MAXIMUM OTM = 67 TON METERS CORRESPONDING AXIAL FORCE = 7,652 KGS. MAXIMUM AXIAL FORCE = 17,054 KGS. CORRESPONDING OTM = 48 TON METERS	
4.6	71	3595	4423	12.2	36	1293	1996		
6.1	65	2733	4156	13.7	25	1066	1656		
7.6	59	2211	3374	15.2	0	624	1083		
9.1	52	1814	2778						

MODEL C10-60 API LOAD CHART								BASIC CRANE WEIGHT: 3,740 KGS.	
REACH (METERS)	BOOM ANGLE (DEG.)	OFFBOARD LOAD (KGS.)	ONBOARD LOAD (KGS.)	REACH (METERS)	BOOM ANGLE (DEG.)	OFFBOARD LOAD (KGS.)	ONBOARD LOAD (KGS.)	API PEDESTAL REACTIONS (REACTIONS @ 3 X OFFBOARD RATED LOAD) (OTM = OVERTURNING MOMENT)	
3.0	80	4377	4423	12.2	48	1089	1690	MAXIMUM OTM = 59 TON METERS CORRESPONDING AXIAL FORCE = 7,387 KGS. MAXIMUM AXIAL FORCE = 17,240 KGS. CORRESPONDING OTM = 44 TON METERS	
4.6	75	3459	4423	13.7	41	907	1418		
6.1	70	2563	3901	15.2	33	737	1162		
7.6	65	1996	3050	16.8	23	578	924		
9.1	59	1565	2404	18.3	0	238	414		
10.7	54	1315	2030						

IN ACCORDANCE WITH API-2C, VALUES SHOWN ARE ACTUAL HOOK LOAD (WEIGHT OF BLOCK AND HOOK EXCLUDED).
LOAD LINE BLOCK WEIGHT IS 113 KGS.
LOAD LINE (2 PART LINE): 9/16" 19X7 EIPS IWRC; 11,363 KGS. BREAKING STRENGTH; 2,272 KGS. WORKING STRENGTH.
ONBOARD LOAD = 1.5 X OFFBOARD LOAD.
PEDESTAL REACTIONS ARE BASED ON THREE TIMES THE OFFBOARD LOAD PLUS DEAD LOAD