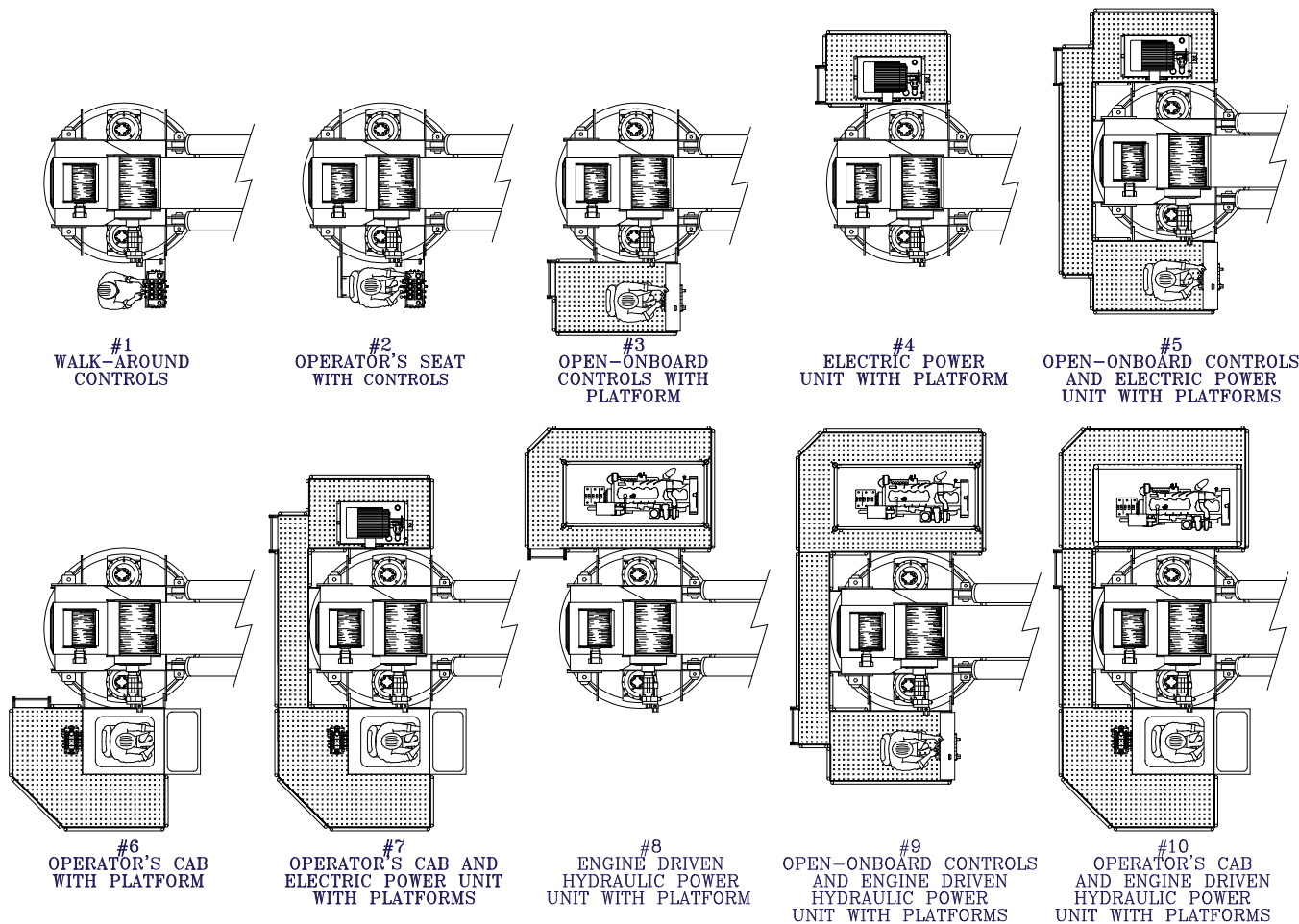


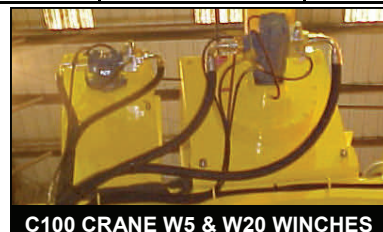
EBI CRANES

MODEL C100 FIXED BOOM CRANES AVAILABLE CONFIGURATIONS



TAIL SWING CHART @ 0° BOOM ANGLE *

CONFIGURATION	MAXIMUM TAIL SWING	CONFIGURATION	MAXIMUM TAIL SWING	CONFIGURATION	MAXIMUM TAIL SWING	CONFIGURATION	MAXIMUM TAIL SWING
1	6'-4" Radius	4	8'-4" Radius	7	10'-2" Radius	10	10'-8" Radius
2	6'-4" Radius	5	8'-4" Radius	8	10'-8" Radius	*TAIL SWING VALUES MAY BE EXCEEDED DEPENDING UPON WINCH MOUNT OPTIONS	
3	8'-4" Radius	6	10'-2" Radius	9	10'-8" Radius		



ELEVATING BOATS LLC

Corporate/EBI Liftboats, LLC. - 201 Dean Court - Houma, LA 70363

Phone: (985) 868-9655 Fax: (985) 868-9656

EBI Cranes, LLC. - 900 St. Bernard Pkwy. - Braithwaite, LA 70040

Phone: (504) 682-5245 Fax: (504) 682-5296

EBI Machining, LLC. - 40495 West I-55 Service Road - Ponchatoula, LA 70454

Phone: (985) 386-2053 Fax: (985) 386-2084

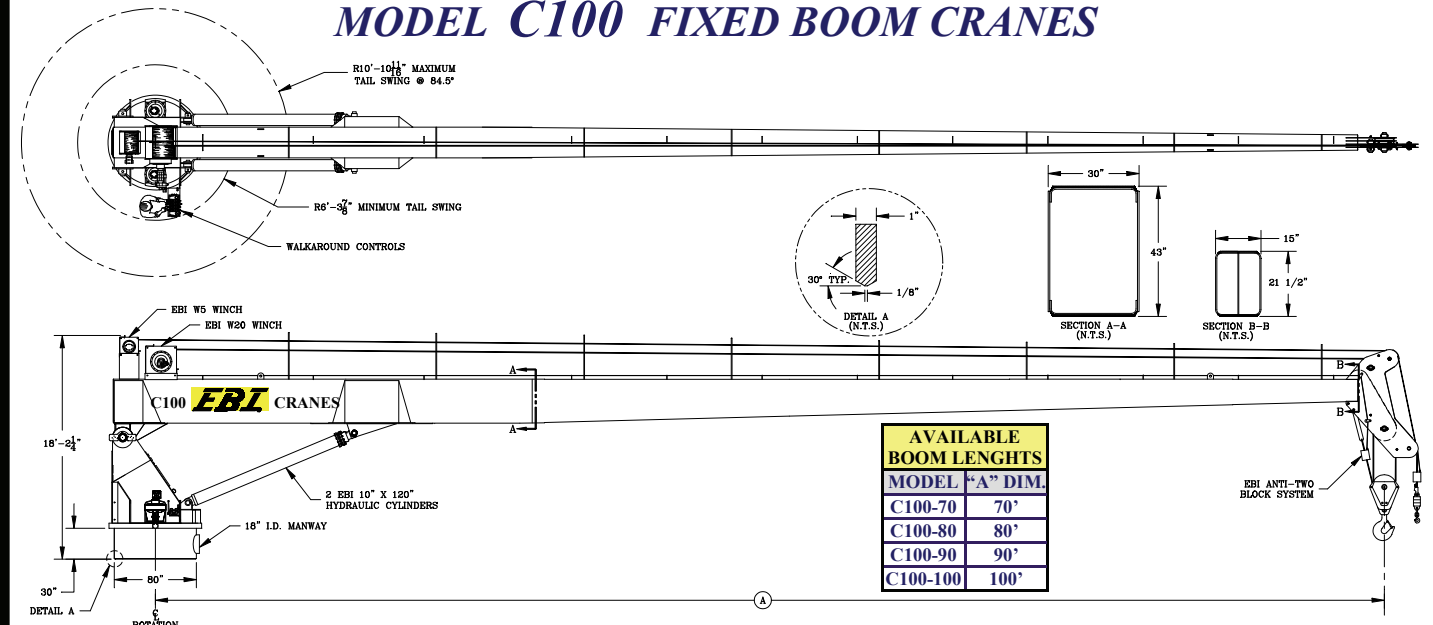
Email: postmaster@ebi-inc.com

Website: www.ebi-inc.com

07REV101911

EBI CRANES

MODEL C100 FIXED BOOM CRANES



STANDARD EQUIPMENT:

EBI CRANES ARE LICENSED MONOGRAM CRANES UNDER API-2C SPECIFICATIONS.

EBI CRANES MEET OSHA REQUIREMENTS.

PLANETARY SWING MECHANISM WITH ADJUSTABLE MOUNT, HIGH TORQUE MOTOR AND AUTOMATIC SPRING APPLIED BRAKES.

DOUBLE HYDRAULIC SWIVEL FOR CONTINUOUS ROTATION.

INDUCTION HARDENED CHROME PLATED CYLINDER RODS.

18" I.D. MANWAY WITH BOLTED COVER.

THREE COLOR, SAFE LOAD INDICATOR GAUGE.

LOAD LINE WINCH: 2 SPEED MOTOR.

THREE COAT MARINE PAINT SYSTEM.

ANTI-FRICTION BEARINGS IN THE SHEAVES.

BRONZE BUSHINGS ON ALL PIVOTING POINTS.

LOAD TEST AT TWICE API OFFBOARD LOAD BEFORE SHIPPING.

EBI PRODUCTS AND SPECIFICATIONS ARE SUBJECT TO CHANGE WITHOUT NOTICE OR OBLIGATIONS.

OPTIONAL EQUIPMENT:

EBI CRANES TO MEET ABS AND USCG REQUIREMENTS.

CRANE CONTROL LOCATIONS

- PEDESTAL MOUNTED WALKAROUND
- REMOTELY LOCATED
- VARIOUS PLATFORM CONFIGURATIONS
- CAB MOUNTED JOY STICK TYPE

SOLAR/BATTERY POWERED BOOM BEACONS.

BOOM LIGHTING.

COMPLETE HYDRAULIC SAFETY SYSTEM DETECTING THE MOMENT INDUCED BY LOAD ON THE CRANE TO HELP PREVENT OVERLOAD CONDITION.

POWER UNITS CAN BE CRANE MOUNTED OR REMOTELY LOCATED.

POWER UNITS: ELECTRIC MOTOR, AIR MOTOR, OR DIESEL ENGINE (DETROIT DIESEL, CUMMINS, CATERPILLAR, DEUTZ AIR COOLED, ETC.).

DIESEL ENGINE STARTER SYSTEMS: ELECTRIC, AIR OR HYDRAULIC.

AIR/HYDRAULIC OIL HEAT EXCHANGER.

17-4 PH STAINLESS STEEL, HEAT TREATED, CHROME PLATED CYLINDER RODS.

440C STAINLESS STEEL, HEAT TREATED PINS.

FAST LINE WINCH DESIGNED FOR PERSONNEL HANDLING. WINCH CAPACITY IS 5000 LB. LINE PULL. (1000 LB. FOR PERSONNEL)

ANTI-TWO BLOCK SYSTEM.

EMERGENCY LOAD LOWERING SYSTEM.

EBI Cranes, LLC.



900 St. Bernard Pkwy. Braithwaite, LA 70040
 Phone: (504) 682-5245 Fax (985) 386-2084
 Email: cranes@ebi-inc.com Website: www.ebi-inc.com
 1-800-843-2895

07REV101911

EBI CRANES

MODEL C100 FIXED BOOM CRANES (U.S. CUSTOMARY UNITS)

MODEL C100-60 API LOAD CHART								BASIC CRANE WEIGHT: 45,409 LBS.	
REACH (FT.)	BOOM ANGLE (DEG.)	OFFBOARD LOAD (LBS.)	ONBOARD LOAD (LBS.)	REACH (FT.)	BOOM ANGLE (DEG.)	OFFBOARD LOAD (LBS.)	ONBOARD LOAD (LBS.)	API PEDESTAL REACTIONS (REACTIONS @ 3 X OFFBOARD RATED LOAD) (OTM = OVERTURNING MOMENT)	
10	80.0	80500	98500	40	48.0	37000	56250	MAXIMUM OTM = 5,223,973 FT. LBS. CORRESPONDING AXIAL FORCE = 126,407 LBS. MAXIMUM AXIAL FORCE = 291,408 LBS. CORRESPONDING OTM = 2,542,734 FT. LBS.	
15	75.5	76500	98500	45	41.0	32375	49313		
20	70.5	67000	98500	50	33.5	28625	43688		
25	65.0	55000	83250	55	23.5	25500	39000		
30	60.0	48000	72750	60	0.0	22000	33750		
35	54.0	42000	63750						

MODEL C100-70 API LOAD CHART								BASIC CRANE WEIGHT: 47,700 LBS.	
REACH (FT.)	BOOM ANGLE (DEG.)	OFFBOARD LOAD (LBS.)	ONBOARD LOAD (LBS.)	REACH (FT.)	BOOM ANGLE (DEG.)	OFFBOARD LOAD (LBS.)	ONBOARD LOAD (LBS.)	API PEDESTAL REACTIONS (REACTIONS @ 3 X OFFBOARD RATED LOAD) (OTM = OVERTURNING MOMENT)	
10	82.0	81000	98400	45	50.0	32250	49125	MAXIMUM OTM = 5,272,650 FT. LBS. CORRESPONDING AXIAL FORCE = 115,198 LBS. MAXIMUM AXIAL FORCE = 295,200 LBS. CORRESPONDING OTM = 2,358,400 FT. LBS.	
15	77.5	73500	98400	50	44.0	28625	43690		
20	73.0	62500	94500	55	38.0	25625	39190		
25	69.0	53375	80810	60	31.0	23125	35440		
30	64.5	45500	69000	65	22.0	21000	32250		
35	60.0	40000	60750	70	0.0	17875	27560		
40	55.0	35625	54190						

MODEL C100-80 API LOAD CHART								BASIC CRANE WEIGHT: 50,000 LBS.	
REACH (FT.)	BOOM ANGLE (DEG.)	OFFBOARD LOAD (LBS.)	ONBOARD LOAD (LBS.)	REACH (FT.)	BOOM ANGLE (DEG.)	OFFBOARD LOAD (LBS.)	ONBOARD LOAD (LBS.)	API PEDESTAL REACTIONS (REACTIONS @ 3 X OFFBOARD RATED LOAD) (OTM = OVERTURNING MOMENT)	
10	83.0	78250	98500	50	51.0	27625	42188	MAXIMUM OTM = 5,331,933 FT. LBS. CORRESPONDING AXIAL FORCE = 106,997 LBS. MAXIMUM AXIAL FORCE = 296,747 LBS. CORRESPONDING OTM = 2,341,492 FT. LBS.	
15	79.0	70250	98500	55	46.5	25500	39000		
20	75.5	60250	91125	60	41.0	23000	35250		
25	72.0	52250	79125	65	35.5	21000	32250		
30	68.0	43750	66375	70	29.0	19000	29250		
35	64.0	38000	57750	75	20.0	17500	27000		
40	60.0	33875	51563	80	0.0	14500	22500		
45	56.0	30750	46875						

MODEL C100-90 API LOAD CHART AVAILABLE UPON REQUEST.

MODEL C100-100 API LOAD CHART								BASIC CRANE WEIGHT: 54,550 LBS.	
REACH (FT.)	BOOM ANGLE (DEG.)	OFFBOARD LOAD (LBS.)	ONBOARD LOAD (LBS.)	REACH (FT.)	BOOM ANGLE (DEG.)	OFFBOARD LOAD (LBS.)	ONBOARD LOAD (LBS.)	API PEDESTAL REACTIONS (REACTIONS @ 3 X OFFBOARD RATED LOAD) (OTM = OVERTURNING MOMENT)	
7	84.5	67400	98400	55	55.5	22100	33950	MAXIMUM OTM = 5,093,400 FT. LBS. CORRESPONDING AXIAL FORCE = 98,950 LBS. MAXIMUM AXIAL FORCE = 261,540 LBS. CORRESPONDING OTM = 1,230,200 FT. LBS.	
10	82.5	59900	90650	60	52.0	20400	31400		
15	80.0	52400	79400	65	48.5	18950	29225		
20	77.0	45650	69275	70	44.5	17600	27200		
25	74.0	40400	61400	75	40.5	16450	25475		
30	71.0	36150	55025	80	36.0	15350	23825		
35	68.0	32650	49775	85	31.0	14300	22250		
40	65.0	29300	44750	90	25.0	13200	20600		
45	62.0	26500	40550	95	18.0	12100	18950		
50	59.0	24200	37100	100	0.0	9300	14750		

IN ACCORDANCE WITH API-2C, VALUES SHOWN ARE ACTUAL HOOK LOAD (WEIGHT OF BLOCK AND HOOK EXCLUDED).
 LOAD LINE BLOCK WEIGHT IS 1500 LBS.
 LOAD LINE (5 PART LINE): 1" 6X25 EIPS IWRC; 100,000 LB. BREAKING STRENGTH; 20,000 LB. WORKING STRENGTH.
 FAST LINE BLOCK WEIGHT IS 100 LBS. FAST LINE (1 PART LINE): 9/16" 19X7 EIPS IWRC; 25,000 LB. BREAKING STRENGTH; 5,000 LB. WORKING STRENGTH.
 ONBOARD LOAD = 1.5 X OFFBOARD LOAD.
 PEDESTAL REACTIONS ARE BASED ON THREE TIMES THE OFFBOARD LOAD PLUS DEAD LOAD.

EBI CRANES

MODEL C100 FIXED BOOM CRANES (INTERNATIONAL METRIC UNITS)

MODEL C100-60 API LOAD CHART								BASIC CRANE WEIGHT: 20,598 KGS.	
REACH (METERS)	BOOM ANGLE (DEG.)	OFFBOARD LOAD (KGS.)	ONBOARD LOAD (KGS.)	REACH (METERS)	BOOM ANGLE (DEG.)	OFFBOARD LOAD (KGS.)	ONBOARD LOAD (KGS.)	API PEDESTAL REACTIONS (REACTIONS @ 3 X OFFBOARD RATED LOAD) (OTM = OVERTURNING MOMENT)	
3.1	80.0	36515	44680	12.2	48.0	16783	25515	MAXIMUM OTM = 722 TON METERS CORRESPONDING AXIAL FORCE = 57,338 KGS. MAXIMUM AXIAL FORCE = 132,183 KGS. CORRESPONDING OTM = 352 TON METERS	
4.6	75.5	34700	44680	13.7	41.0	14685	22368		
6.1	70.5	30391	44680	15.2	33.5	12984	19817		
7.6	65.0	24948	37762	16.8	23.5	11567	17690		
9.1	60.0	21773	33000	18.3	0.0	9979	15309		
10.7	54.0	19051	28917						

MODEL C100-70 API LOAD CHART								BASIC CRANE WEIGHT: 21,637 KGS.	
REACH (METERS)	BOOM ANGLE (DEG.)	OFFBOARD LOAD (KGS.)	ONBOARD LOAD (KGS.)	REACH (METERS)	BOOM ANGLE (DEG.)	OFFBOARD LOAD (KGS.)	ONBOARD LOAD (KGS.)	API PEDESTAL REACTIONS (REACTIONS @ 3 X OFFBOARD RATED LOAD) (OTM = OVERTURNING MOMENT)	
3.1	82.0	36742	44634	13.7	50.0	14629	22283	MAXIMUM OTM = 729 TON METERS CORRESPONDING AXIAL FORCE = 52,254 KGS. MAXIMUM AXIAL FORCE = 133,903 KGS. CORRESPONDING OTM = 326 TON METERS	
4.6	77.5	33340	44634	15.2	44.0	12984	19818		
6.1	73.0	28350	42865	16.8	38.0	11624	17777		
7.6	69.0	24211	36655	18.3	31.0	10490	16076		
9.1	64.5	20639	31298	19.8	22.0	9526	14629		
10.7	60.0	18144	27556	21.3	0.0	8108	12501		
12.2	55.0	16160	24581						

MODEL C100-80 API LOAD CHART								BASIC CRANE WEIGHT: 22,680 KGS.	
REACH (METERS)	BOOM ANGLE (DEG.)	OFFBOARD LOAD (KGS.)	ONBOARD LOAD (KGS.)	REACH (METERS)	BOOM ANGLE (DEG.)	OFFBOARD LOAD (KGS.)	ONBOARD LOAD (KGS.)	API PEDESTAL REACTIONS (REACTIONS @ 3 X OFFBOARD RATED LOAD) (OTM = OVERTURNING MOMENT)	
3.1	83.0	35494	44680	15.2	51.0	12530	19136	MAXIMUM OTM = 737 TON METERS CORRESPONDING AXIAL FORCE = 48,534 KGS. MAXIMUM AXIAL FORCE = 134,604 KGS. CORRESPONDING OTM = 324 TON METERS	
4.6	79.0	31865	44680	16.8	46.5	11567	17690		
6.1	75.5	27329	41334	18.3	41.0	10433	15989		
7.6	72.0	23700	35891	19.8	35.5	9525	14628		
9.1	68.0	19845	30108	21.3	29.0	8618	13268		
10.7	64.0	17237	26195	22.9	20.0	7938	12247		
12.2	60.0	15365	23389	24.4	0.0	6577	10206		
13.7	56.0	13948	21263						

MODEL C100-90 API LOAD CHART AVAILABLE UPON REQUEST.

MODEL C100-100 API LOAD CHART								BASIC CRANE WEIGHT: 24,744 KGS.	
REACH (METERS)	BOOM ANGLE (DEG.)	OFFBOARD LOAD (KGS.)	ONBOARD LOAD (KGS.)	REACH (METERS)	BOOM ANGLE (DEG.)	OFFBOARD LOAD (KGS.)	ONBOARD LOAD (KGS.)	API PEDESTAL REACTIONS (REACTIONS @ 3 X OFFBOARD RATED LOAD) (OTM = OVERTURNING MOMENT)	
2.1	84.5	30572	44634	16.8	55.5	10024	15400	MAXIMUM OTM = 704 TON METERS CORRESPONDING AXIAL FORCE = 44,883 KGS. MAXIMUM AXIAL FORCE = 118,633 KGS. CORRESPONDING OTM = 170 TON METERS	
3.1	82.5	27170	41118	18.3	52.0	9253	14243		
4.6	80.0	23768	36015	19.8	48.5	8596	13256		
6.1	77.0	20707	31423	21.3	44.5	7983	12338		
7.6	74.0	18325	27851	22.9	40.5	7462	11555		
9.1	71.0	16398	24959	24.4	36.0	6963	10807		
10.7	68.0	14810	22578	25.9	31.0	6486	10092		
12.2	65.0	13290	20298	27.4	25.0	5987	9344		
13.7	62.0	12020	18393	29	18.0	5489	8596		
15.2	59.0	10977	16828	30.5	0.0	4218	6691		

IN ACCORDANCE WITH API-2C, VALUES SHOWN ARE ACTUAL HOOK LOAD (WEIGHT OF BLOCK AND HOOK EXCLUDED).
 LOAD LINE BLOCK WEIGHT IS 680 KGS.
 LOAD LINE (5 PART LINE): 1" 6X25EIPS IWRC; 45,354 KGS. BREAKING STRENGTH; 9,072 KGS. WORKING STRENGTH.
 FAST LINE BLOCK WEIGHT IS 45.4 KGS. FAST LINE (1 PART LINE): 9/16" 19X7 EIPS IWRC; 11,340 KGS. BREAKING STRENGTH; 2,268 KGS. WORKING STRENGTH.
 ONBOARD LOAD = 1.5 X DYNAMIC LOAD. PEDESTAL REACTIONS ARE BASED ON THREE TIMES THE DYNAMIC LOAD PLUS DEAD LOAD.