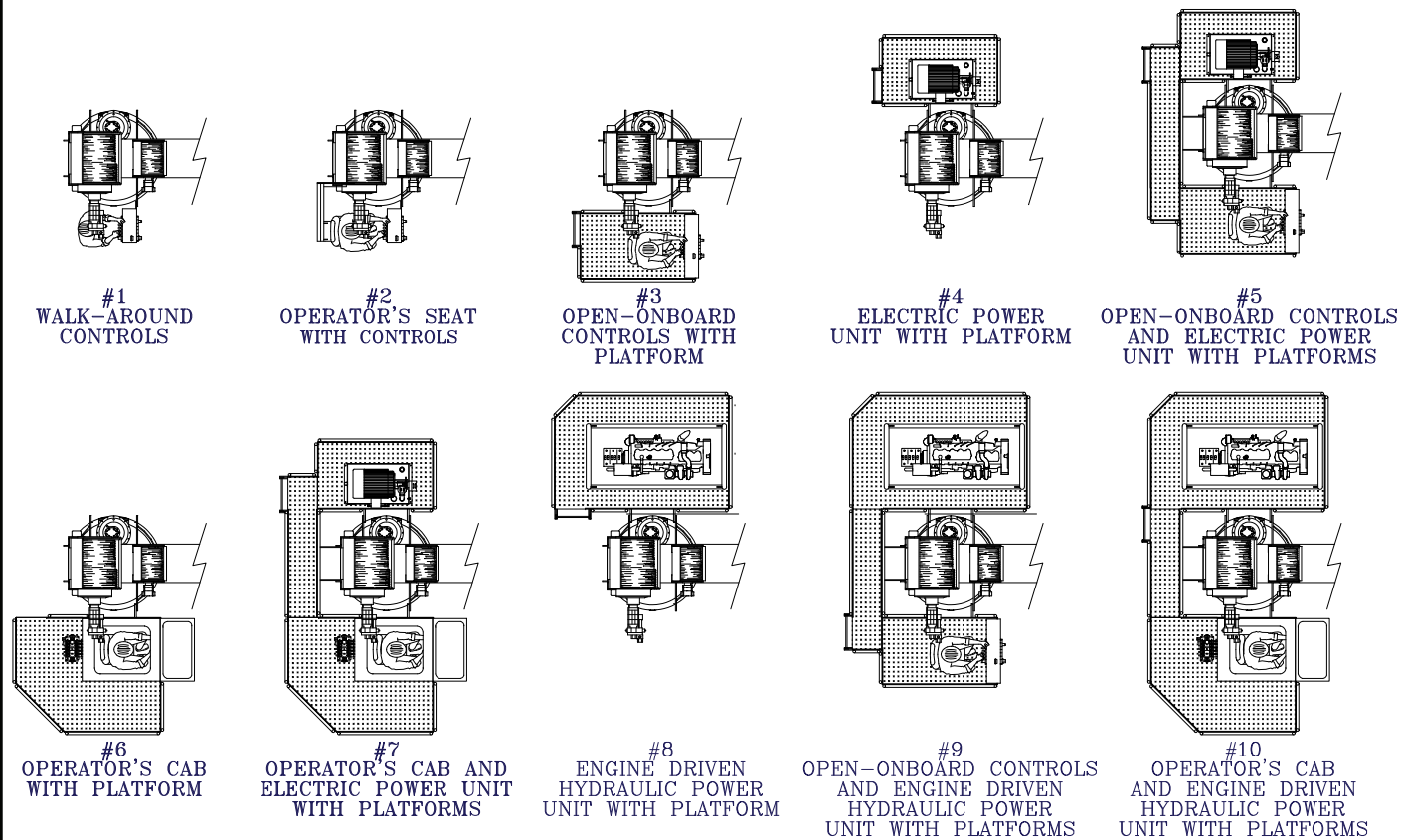


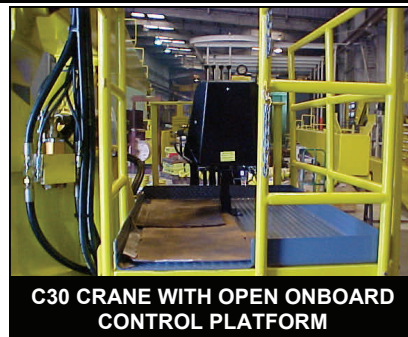
# EBI CRANES

## MODEL C30 FIXED BOOM CRANES AVAILABLE CONFIGURATIONS



### TAIL SWING CHART @ 0° BOOM ANGLE \*

CONFIGURATION	MAXIMUM TAIL SWING	CONFIGURATION	MAXIMUM TAIL SWING	CONFIGURATION	MAXIMUM TAIL SWING	CONFIGURATION	MAXIMUM TAIL SWING
1	4'-6" Radius	4	7'-2" Radius	7	9'-1" Radius	10	9'-6" Radius
2	5'-4" Radius	5	7'-2" Radius	8	9'-6" Radius	*TAIL SWING VALUES MAY BE EXCEEDED DEPENDING UPON WINCH MOUNT OPTIONS	
3	7'-2" Radius	6	9'-1" Radius	9	9'-6" Radius		



### ELEVATING BOATS LLC

Corporate/EBI Liftboats, LLC. - 201 Dean Court - Houma, LA 70363  
 Phone: (985) 868-9655 Fax: (985) 868-9656

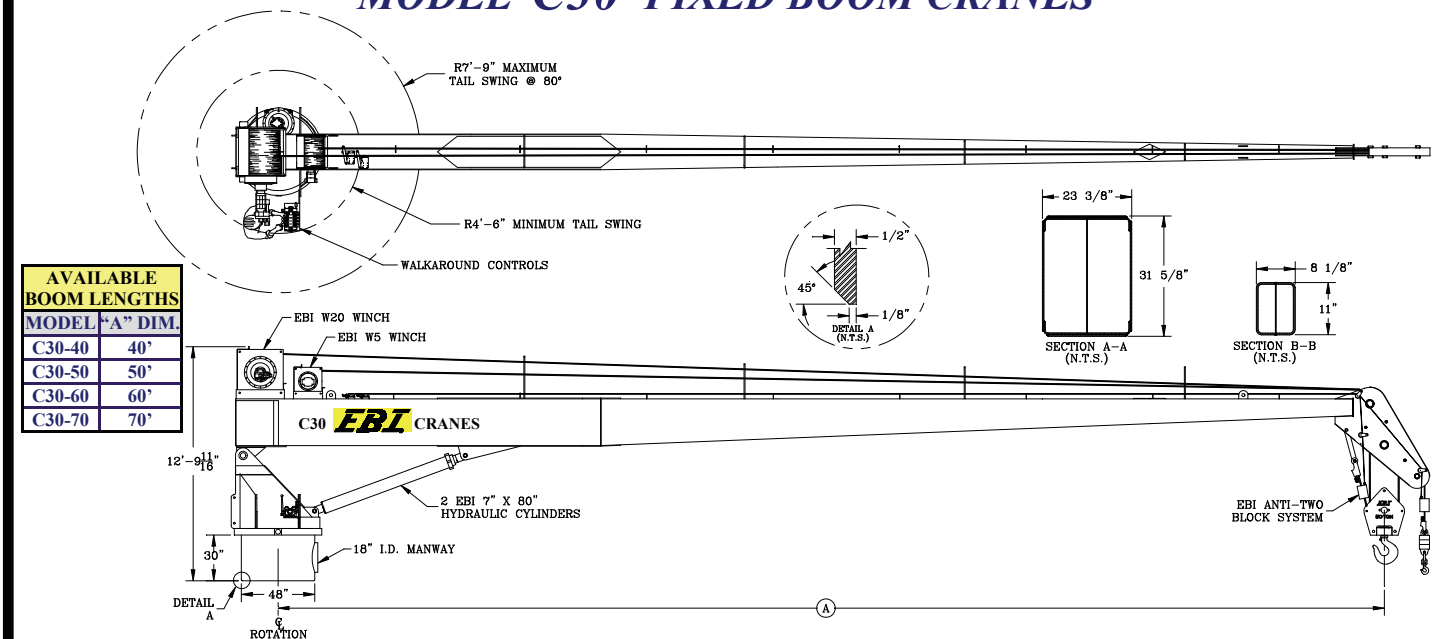
EBI Cranes, LLC. - 900 St. Bernard Pkwy. - Braithwaite, LA 70040  
 Phone: (504) 682-5245 Fax: (504) 682-5296

EBI Machining, LLC. - 40495 West I-55 Service Road - Ponchatoula, LA 70454  
 Phone: (985) 386-2053 Fax: (985) 386-2084

Email: postmaster@ebi-inc.com Website: www.ebi-inc.com

# EBI CRANES

## MODEL C30 FIXED BOOM CRANES



MODEL	"A" DIM.
C30-40	40'
C30-50	50'
C30-60	60'
C30-70	70'

### STANDARD EQUIPMENT:

- EBI CRANES ARE LICENSED MONOGRAM CRANES UNDER API-2C SPECIFICATIONS.
- EBI CRANES MEET OSHA REQUIREMENTS.
- PLANETARY SWING MECHANISM WITH ADJUSTABLE MOUNT, HIGH TORQUE MOTOR AND AUTOMATIC SPRING APPLIED BRAKES.
- DOUBLE HYDRAULIC SWIVEL FOR CONTINUOUS ROTATION.
- INDUCTION HARDENED CHROME PLATED CYLINDER RODS.
- 18" I.D. MANWAY WITH BOLTED COVER.
- THREE COLOR, SAFE LOAD INDICATOR GAUGE.
- LOAD LINE WINCH: 2 SPEED MOTOR.
- THREE COAT MARINE PAINT SYSTEM.
- ANTI-FRICTION BEARINGS IN THE SHEAVES.
- BRONZE BUSHINGS ON ALL PIVOTING POINTS.
- LOAD TEST AT TWICE API OFFBOARD LOAD BEFORE SHIPPING.

EBI PRODUCTS AND SPECIFICATIONS ARE SUBJECT TO CHANGE WITHOUT NOTICE OR OBLIGATIONS.

### OPTIONAL EQUIPMENT:

- EBI CRANES TO MEET ABS AND USCG REQUIREMENTS.
- CRANE CONTROL LOCATIONS
  - PEDESTAL MOUNTED WALKAROUND
  - REMOTELY LOCATED
  - VARIOUS PLATFORM CONFIGURATIONS
  - CAB MOUNTED JOY STICK TYPE
- SOLAR/BATTERY POWERED BOOM BEACONS.
- BOOM LIGHTING.
- COMPLETE HYDRAULIC SAFETY SYSTEM DETECTING THE MOMENT INDUCED BY LOAD ON THE CRANE TO HELP PREVENT OVERLOAD CONDITION.
- POWER UNITS CAN BE CRANE MOUNTED OR REMOTELY LOCATED.
- POWER UNITS: ELECTRIC MOTOR, AIR MOTOR, OR DIESEL ENGINE (DETROIT DIESEL, CUMMINS, CATERPILLAR, DEUTZ AIR COOLED, ETC.).
- DIESEL ENGINE STARTER SYSTEMS: ELECTRIC, AIR OR HYDRAULIC.
- AIR/HYDRAULIC OIL HEAT EXCHANGER.
- 17-4 PH STAINLESS STEEL, HEAT TREATED, CHROME PLATED CYLINDER RODS.
- 440C STAINLESS STEEL, HEAT TREATED PINS.
- FAST LINE WINCH DESIGNED FOR PERSONNEL HANDLING. WINCH CAPACITY IS 5000 LB. LINE PULL. (1000 LB. FOR PERSONNEL)
- ANTI-TWO BLOCK SYSTEM.
- EMERGENCY LOAD LOWERING SYSTEM.

## EBI Cranes, LLC.



900 St. Bernard Pkwy. Braithwaite, LA 70040  
 Phone: (504) 682-5245 Fax (985) 386-2084  
 Email: cranes@ebi-inc.com Website: www.ebi-inc.com  
 1-800-843-2895

# EBI CRANES

## MODEL C30 FIXED BOOM CRANES (U.S. CUSTOMARY UNITS)

MODEL C30-40 API LOAD CHART								BASIC CRANE WEIGHT: 18,490 LBS.	
REACH (FT.)	BOOM ANGLE (DEG.)	OFFBOARD LOAD (LBS.)	ONBOARD LOAD (LBS.)	REACH (FT.)	BOOM ANGLE (DEG.)	OFFBOARD LOAD (LBS.)	ONBOARD LOAD (LBS.)	API PEDESTAL REACTIONS (REACTIONS @ 3 X OFFBOARD RATED LOAD) (OTM = OVERTURNING MOMENT)	
10	73.0	21140	32315	30	40.0	14440	22265	MAXIMUM OTM = 1,504,800 FT. LBS. CORRESPONDING AXIAL FORCE = 58,230 LBS.	
15	65.0	18990	29090	35	28.0	12040	18665	MAXIMUM AXIAL FORCE = 85,540 LBS. CORRESPONDING OTM = 677,770 FT. LBS.	
20	58.0	17950	27365	40	0.0	9540	14915		
25	50.0	16440	25265						

MODEL C30-50 API LOAD CHART								BASIC CRANE WEIGHT: 19,473 LBS.	
REACH (FT.)	BOOM ANGLE (DEG.)	OFFBOARD LOAD (LBS.)	ONBOARD LOAD (LBS.)	REACH (FT.)	BOOM ANGLE (DEG.)	OFFBOARD LOAD (LBS.)	ONBOARD LOAD (LBS.)	API PEDESTAL REACTIONS (REACTIONS @ 3 X OFFBOARD RATED LOAD) (OTM = OVERTURNING MOMENT)	
10	76.0	20790	31790	35	44.0	11190	17390	MAXIMUM OTM = 1,528,100 FT. LBS. CORRESPONDING AXIAL FORCE = 49,780 LBS.	
15	70.0	18640	28565	40	36.0	10240	15965	MAXIMUM AXIAL FORCE = 85,480 LBS. CORRESPONDING OTM = 686,630 FT. LBS.	
20	64.0	16140	24815	45	25.0	8890	13940		
25	58.0	14090	21740	50	0.0	7090	11240		
30	52.0	12540	19415						

MODEL C30-60 API LOAD CHART								BASIC CRANE WEIGHT: 20	
REACH (FT.)	BOOM ANGLE (DEG.)	OFFBOARD LOAD (LBS.)	ONBOARD LOAD (LBS.)	REACH (FT.)	BOOM ANGLE (DEG.)	OFFBOARD LOAD (LBS.)	ONBOARD LOAD (LBS.)	API PEDESTAL REACTIONS (REACTIONS @ 3 X OFFBOARD RATED LOAD) (OTM = OVERTURNING MOMENT)	
10	78.5	22390	34190	40	47.0	9240	14465	MAXIMUM OTM = 1,488,400 FT. LBS. CORRESPONDING AXIAL FORCE = 43,470 LBS.	
15	73.5	18890	28940	45	40.5	8140	12815	MAXIMUM AXIAL FORCE = 91,280 LBS. CORRESPONDING OTM = 719,540 FT. LBS.	
20	69.0	16290	25040	50	33.0	7290	11540		
25	64.0	14140	21815	55	23.5	6540	10415		
30	58.5	12140	18815	60	0.0	5290	8540		
35	53.0	10540	16415						

MODEL C30-70 API LOAD CHART								BASIC CRANE WEIGHT: 21,436 LBS.	
REACH (FT.)	BOOM ANGLE (DEG.)	OFFBOARD LOAD (LBS.)	ONBOARD LOAD (LBS.)	REACH (FT.)	BOOM ANGLE (DEG.)	OFFBOARD LOAD (LBS.)	ONBOARD LOAD (LBS.)	API PEDESTAL REACTIONS (REACTIONS @ 3 X OFFBOARD RATED LOAD) (OTM = OVERTURNING MOMENT)	
10	80.0	19290	29540	45	49.0	6740	10715	MAXIMUM OTM = 1,397,000 FT. LBS. CORRESPONDING AXIAL FORCE = 36,890 LBS.	
15	76.0	15690	24140	50	43.0	5940	9515	MAXIMUM AXIAL FORCE = 82,940 LBS. CORRESPONDING OTM = 629,790 FT. LBS.	
20	72.0	13790	21290	55	37.0	5340	8615		
25	67.0	11290	17540	60	30.0	4840	7865		
30	63.0	9840	15365	65	21.0	4340	7115		
35	59.0	8690	13640	70	0.0	3940	6515		
40	54.0	7590	11990						

IN ACCORDANCE WITH API-2C, VALUES SHOWN ARE ACTUAL HOOK LOAD (WEIGHT OF BLOCK AND HOOK EXCLUDED).  
 LOAD LINE BLOCK WEIGHT IS 1100 LBS.  
 LOAD LINE (2 PART LINE): 1" 6X25 EIPS IWRC; 100,000 LB. BREAKING STRENGTH; 20,000 LB. WORKING STRENGTH.  
 FAST LINE BLOCK WEIGHT IS 110 LBS.  
 FAST LINE (1 PART LINE): 9/16" 19X7 EIPS IWRC; 25,000 LB. BREAKING STRENGTH; 5,000 LB. WORKING STRENGTH.  
 ONBOARD LOAD = 1.5 X OFFBOARD LOAD.  
 PEDESTAL REACTIONS ARE BASED ON THREE TIMES THE OFFBOARD LOAD PLUS DEAD LOAD

# EBI CRANES

## MODEL C30 FIXED BOOM CRANES (INTERNATIONAL METRIC UNITS)

MODEL C30-40 API LOAD CHART								BASIC CRANE WEIGHT: 8,404 KGS.	
REACH (METERS)	BOOM ANGLE (DEG.)	OFFBOARD LOAD (KGS.)	ONBOARD LOAD (KGS.)	REACH (METERS)	BOOM ANGLE (DEG.)	OFFBOARD LOAD (KGS.)	ONBOARD LOAD (KGS.)	API PEDESTAL REACTIONS (REACTIONS @ 3 X OFFBOARD RATED LOAD) (OTM = OVERTURNING MOMENT)	
3.0	73.0	9609	14689	9.1	40.0	6564	10120	MAXIMUM OTM = 207 TON METERS CORRESPONDING AXIAL FORCE = 26,468 KGS.	
4.6	65.0	8632	13223	10.7	28.0	5473	8484	MAXIMUM AXIAL FORCE = 38,882 KGS. CORRESPONDING OTM = 93 TON METERS	
6.1	58.0	8109	12439	12.2	0.0	4336	6779		
7.6	50.0	7473	11424						

MODEL C30-50 API LOAD CHART								BASIC CRANE WEIGHT: 8,851 KGS.	
REACH (METERS)	BOOM ANGLE (DEG.)	OFFBOARD LOAD (KGS.)	ONBOARD LOAD (KGS.)	REACH (METERS)	BOOM ANGLE (DEG.)	OFFBOARD LOAD (KGS.)	ONBOARD LOAD (KGS.)	API PEDESTAL REACTIONS (REACTIONS @ 3 X OFFBOARD RATED LOAD) (OTM = OVERTURNING MOMENT)	
3.0	76.0	9450	14450	10.7	44.0	5086	7904	MAXIMUM OTM = 210 TON METERS CORRESPONDING AXIAL FORCE = 22,627 KGS.	
4.6	70.0	8473	12984	12.2	36.0	4654	7257	MAXIMUM AXIAL FORCE = 38,854 KGS. CORRESPONDING OTM = 95 TON METERS	
6.1	64.0	7336	11279	13.7	25.0	4041	6336		
7.6	58.0	6404	9882	15.2	0.0	3223	5109		
9.1	52.0	5700	8825						

MODEL C30-60 API LOAD CHART								BASIC CRANE WEIGHT: 9,309 KGS.	
REACH (METERS)	BOOM ANGLE (DEG.)	OFFBOARD LOAD (KGS.)	ONBOARD LOAD (KGS.)	REACH (METERS)	BOOM ANGLE (DEG.)	OFFBOARD LOAD (KGS.)	ONBOARD LOAD (KGS.)	API PEDESTAL REACTIONS (REACTIONS @ 3 X OFFBOARD RATED LOAD) (OTM = OVERTURNING MOMENT)	
3.0	78.5	10177	15541	12.2	47.0	4200	6575	MAXIMUM OTM = 205 TON METERS CORRESPONDING AXIAL FORCE = 19,882 KGS.	
4.6	73.5	8586	13154	13.8	40.5	3700	5825	MAXIMUM AXIAL FORCE = 41,491 KGS. CORRESPONDING OTM = 99 TON METERS	
6.1	69.0	7404	11382	15.2	33.0	3314	5245		
7.6	64.0	6427	9916	16.8	23.5	2973	4734		
9.1	58.5	5518	8552	18.2	0.0	2404	3882		
10.7	53.0	4791	7598						

MODEL C30-70 API LOAD CHART								BASIC CRANE WEIGHT: 9,744 KGS.	
REACH (METERS)	BOOM ANGLE (DEG.)	OFFBOARD LOAD (KGS.)	ONBOARD LOAD (KGS.)	REACH (METERS)	BOOM ANGLE (DEG.)	OFFBOARD LOAD (KGS.)	ONBOARD LOAD (KGS.)	API PEDESTAL REACTIONS (REACTIONS @ 3 X OFFBOARD RATED LOAD) (OTM = OVERTURNING MOMENT)	
3.0	80.0	8768	13427	13.8	49.0	3064	4870	MAXIMUM OTM = 192 TON METERS CORRESPONDING AXIAL FORCE = 16,768 KGS.	
4.6	76.0	7132	10973	15.2	43.0	2700	4325	MAXIMUM AXIAL FORCE = 37,700 KGS. CORRESPONDING OTM = 87 TON METERS	
6.1	72.0	6268	9677	16.8	37.0	2427	3916		
7.6	67.0	5132	7973	18.3	30.0	2200	3575		
9.1	63.0	4473	6984	19.8	21.0	1973	3234		
10.7	59.0	3950	6200	21.3	0.0	1791	2961		
12.2	54.0	3450	5450						

IN ACCORDANCE WITH API-2C, VALUES SHOWN ARE ACTUAL HOOK LOAD (WEIGHT OF BLOCK AND HOOK EXCLUDED).  
 LOAD LINE BLOCK WEIGHT IS 500 KGS.  
 LOAD LINE (2 PART LINE): 1" 6X25EIPS IWRC; 45,359 KGS. BREAKING STRENGTH; 9,072 KGS. WORKING STRENGTH.  
 FAST LINE BLOCK WEIGHT IS 50 KGS.  
 FAST LINE (1 PART LINE): 9/16" 19X7 EIPS IWRC; 11,364 KGS. BREAKING STRENGTH; 2,268 KGS. WORKING STRENGTH.  
 ONBOARD LOAD = 1.5 X OFFBOARD LOAD.  
 PEDESTAL REACTIONS ARE BASED ON THREE TIMES THE OFFBOARD LOAD PLUS DEAD LOAD