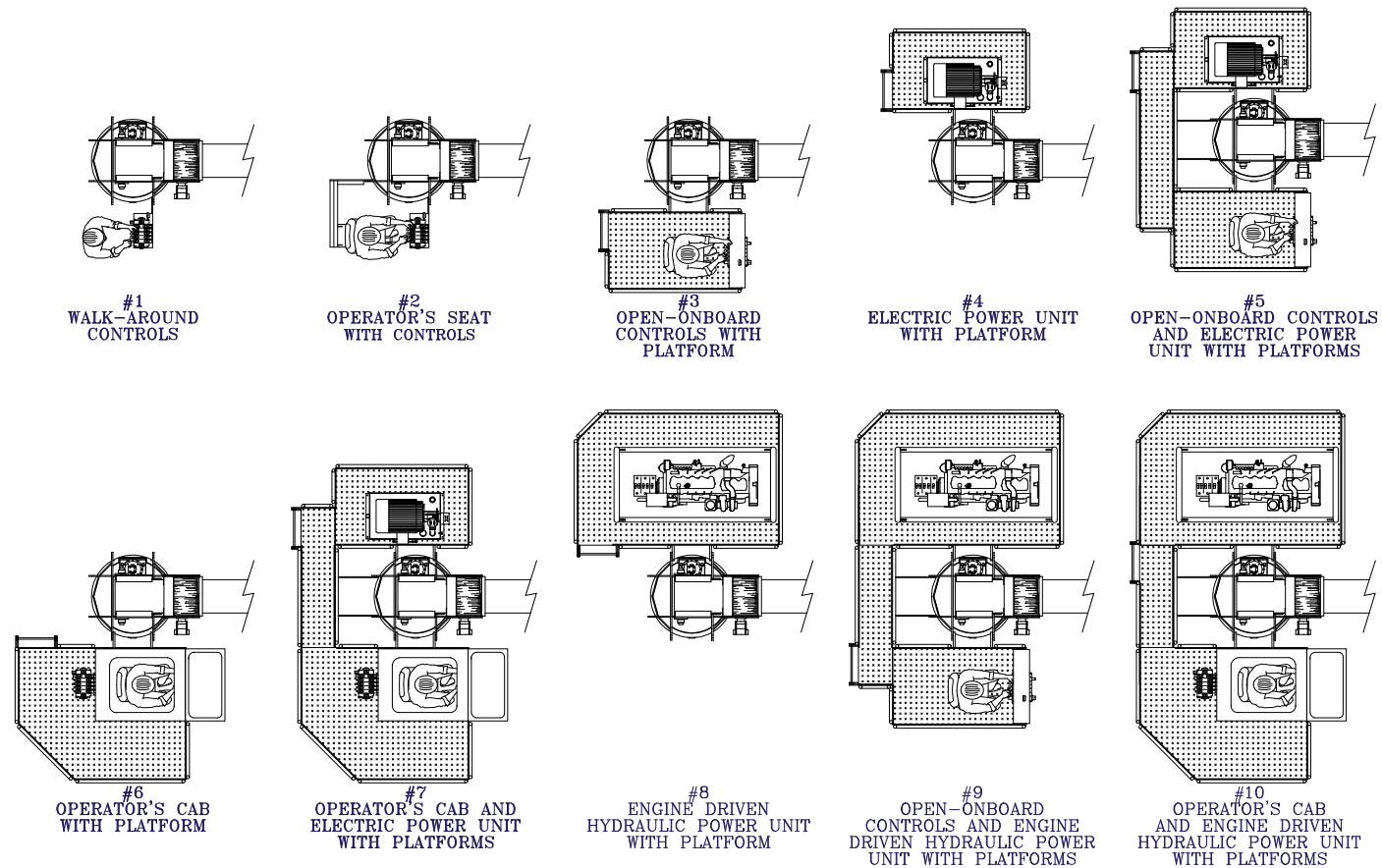


EBI CRANES

MODEL TC10-24-40 CRANES AVAILABLE CONFIGURATIONS



TAIL SWING CHART @ 0° BOOM ANGLE *

CONFIGURATION	MAXIMUM TAIL SWING	CONFIGURATION	MAXIMUM TAIL SWING	CONFIGURATION	MAXIMUM TAIL SWING	CONFIGURATION	MAXIMUM TAIL SWING
1	3'-11" Radius	4	6'-9" Radius	7	8'-7" Radius	10	9'-1" Radius
2	5'-2" Radius	5	6'-9" Radius	8	9'-1" Radius	*TAIL SWING VALUES MAY BE EXCEEDED DEPENDING UPON WINCH MOUNT OPTIONS	
3	6'-9" Radius	6	8'-7" Radius	9	9'-1" Radius		



ELEVATING BOATS LLC

Corporate/EBI Liftboats, LLC. - 201 Dean Court - Houma, LA 70363
Phone: (985) 868-9655 Fax: (985) 868-9656

EBI Cranes, LLC. - 900 St. Bernard Pkwy. - Braithwaite, LA 70040
Phone: (504) 682-5245 Fax: (504) 682-5296

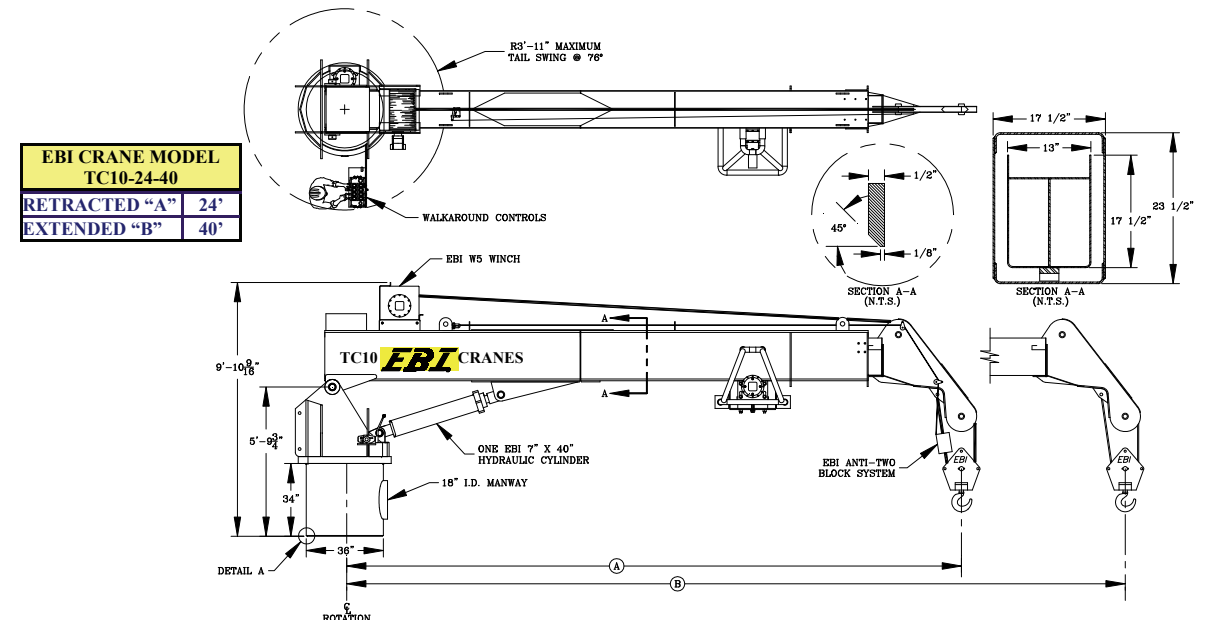
EBI Machining, LLC. - 40495 West I-55 Service Road - Ponchatoula, LA 70454
Phone: (985) 386-2053 Fax: (985) 386-2084

Email: postmaster@ebi-inc.com Website: www.ebi-inc.com

06REV101711

EBI CRANES

MODEL TC10-24-40 TELESCOPIC BOOM CRANES



STANDARD EQUIPMENT:

EBI CRANES ARE LICENSED MONOGRAM CRANES UNDER API-2C SPECIFICATIONS.
EBI CRANES MEET OSHA REQUIREMENTS.
PLANETARY SWING MECHANISM WITH ADJUSTABLE MOUNT, HIGH TORQUE MOTOR AND AUTOMATIC SPRING APPLIED BRAKES.
DOUBLE HYDRAULIC SWIVEL FOR CONTINUOUS ROTATION.
INDUCTION HARDENED CHROME PLATED CYLINDER RODS.
18" I.D. MANWAY WITH BOLTED COVER.
THREE COLOR, SAFE LOAD INDICATOR GAUGE.
RACK AND PINION TELESCOPIC SYSTEM. THERE ARE NO INTERNAL BOOM CYLINDERS.
LOAD LINE WINCH IS DESIGNED FOR PERSONNEL HANDLING. WINCH CAPACITY IS 5000 LB. LINE PULL REEVED UP TO TWO PART LINE WITH FORGED HOOK AND SAFETY LATCH.
THREE COAT MARINE PAINT SYSTEM.
ANTI-FRICTION BEARINGS IN THE SHEAVES.
BRONZE BUSHINGS ON ALL PIVOTING POINTS.
LOAD TEST AT TWICE API OFFBOARD LOAD BEFORE SHIPPING.

EBI PRODUCTS AND SPECIFICATIONS ARE SUBJECT TO CHANGE WITHOUT NOTICE OR OBLIGATIONS.

OPTIONAL EQUIPMENT:

EBI CRANES TO MEET ABS AND USCG REQUIREMENTS.
CRANE CONTROL LOCATIONS
- PEDESTAL MOUNTED WALKAROUND
- REMOTELY LOCATED
- VARIOUS PLATFORM CONFIGURATIONS
- CAB MOUNTED JOY STICK TYPE
SOLAR/BATTERY POWERED BOOM BEACONS.
BOOM LIGHTING.
COMPLETE HYDRAULIC SAFETY SYSTEM DETECTING THE MOMENT INDUCED BY LOAD ON THE CRANE TO HELP PREVENT OVERLOAD CONDITION.
POWER UNITS CAN BE CRANE MOUNTED OR REMOTELY LOCATED.
POWER UNITS: ELECTRIC MOTOR, AIR MOTOR, OR DIESEL ENGINE (DETROIT DIESEL, CUMMINS, CATERPILLAR, DEUTZ AIR COOLED, ETC.).
DIESEL ENGINE STARTER SYSTEMS: ELECTRIC, AIR OR HYDRAULIC.
AIR/HYDRAULIC OIL HEAT EXCHANGER.
17-4 PH STAINLESS STEEL, HEAT TREATED, CHROME PLATED CYLINDER RODS.
440C STAINLESS STEEL, HEAT TREATED PINS.
FAST LINE WINCH DESIGNED FOR PERSONNEL HANDLING. WINCH CAPACITY IS 5000 LB. LINE PULL. (1000 LB. FOR PERSONNEL)
ANTI-TWO BLOCK SYSTEM.
EMERGENCY LOAD LOWERING SYSTEM.

EBI Cranes, LLC.



900 St. Bernard Pkwy. Braithwaite, LA 70040
Phone: (504) 682-5245 Fax (985) 386-2084
Email: cranes@ebi-inc.com Website: www.ebi-inc.com
1-800-843-2895

08REV101711



MODEL TC10-24-40 TELESCOPIC BOOM CRANES
(U.S. CUSTOMARY UNITS)

MODEL TC10-24-40 API LOAD CHART 24 FT. RETRACTED								BASIC CRANE WEIGHT: 7,644 LBS.
REACH (FT.)	BOOM ANGLE (DEG.)	OFFBOARD LOAD (LBS.)	ONBOARD LOAD (LBS.)	REACH (FT.)	BOOM ANGLE (DEG.)	OFFBOARD LOAD (LBS.)	ONBOARD LOAD (LBS.)	API PEDESTAL REACTIONS (REACTIONS @ 3 X OFFBOARD RATED LOAD) (OTM = OVERTURNING MOMENT)
10	67	9750	9750	24	0	4525	6913	MAXIMUM OTM = 482,688 FT. LBS. CORRESPONDING AXIAL FORCE = 30,014 LBS. MAXIMUM AXIAL FORCE = 37,664 LBS. CORRESPONDING OTM = 315,914 FT. LBS.
15	53	9325	9750					
20	36	7200	9750					

MODEL TC10-24-40 API LOAD CHART 30 FT. EXTENDED								API PEDESTAL REACTIONS (REACTIONS @ 3 X OFFBOARD RATED LOAD) (OTM = OVERTURNING MOMENT)
REACH (FT.)	BOOM ANGLE (DEG.)	OFFBOARD LOAD (LBS.)	ONBOARD LOAD (LBS.)	REACH (FT.)	BOOM ANGLE (DEG.)	OFFBOARD LOAD (LBS.)	ONBOARD LOAD (LBS.)	
10	72	9750	9750	25	35	5350	8150	
15	61	8675	9750	30	0	3225	4963	
20	50	6775	9750					

MODEL TC10-24-40 API LOAD CHART 40 FT. EXTENDED								API PEDESTAL REACTIONS (REACTIONS @ 3 X OFFBOARD RATED LOAD) (OTM = OVERTURNING MOMENT)
REACH (FT.)	BOOM ANGLE (DEG.)	OFFBOARD LOAD (LBS.)	ONBOARD LOAD (LBS.)	REACH (FT.)	BOOM ANGLE (DEG.)	OFFBOARD LOAD (LBS.)	ONBOARD LOAD (LBS.)	
10	76	9750	9750	30	42	4000	6125	
15	69	8125	9750	35	30	3300	5075	
20	61	6150	9750	40	0	1925	3013	
25	52	4875	7438					

IN ACCORDANCE WITH API-2C, VALUES SHOWN ARE ACTUAL HOOK LOAD (WEIGHT OF BLOCK AND HOOK EXCLUDED).
 LOAD LINE BLOCK WEIGHT IS 250 LBS.
 LOAD LINE (2 PART LINE): 9/16" 19X7 EIPS IWRC; 25,000 LB. BREAKING STRENGTH; 5,000 LB. WORKING STRENGTH.
 ONBOARD LOAD = 1.5 X OFFBOARD LOAD.
 PEDESTAL REACTIONS ARE BASED ON THREE TIMES THE OFFBOARD LOAD PLUS DEAD LOAD



MODEL TC10-24-40 TELESCOPIC BOOM CRANES
(INTERNATIONAL METRIC UNITS)

MODEL TC10-24-40 API LOAD CHART 7.3 METERS RETRACTED								BASIC CRANE WEIGHT: 3,474 KGS.
REACH (METERS)	BOOM ANGLE (DEG.)	OFFBOARD LOAD (KGS.)	ONBOARD LOAD (KGS.)	REACH (METERS)	BOOM ANGLE (DEG.)	OFFBOARD LOAD (KGS.)	ONBOARD LOAD (KGS.)	API PEDESTAL REACTIONS (REACTIONS @ 3 X OFFBOARD RATED LOAD) (OTM = OVERTURNING MOMENT)
3.0	67	4443	4423	7.6	0	2053	3136	MAXIMUM OTM = 73 TON METERS CORRESPONDING AXIAL FORCE = 13,642 KGS. MAXIMUM AXIAL FORCE = 17,120 KGS. CORRESPONDING OTM = 47 TON METERS
4.6	53	4230	4423					
6.1	36	3266	4423					

MODEL TC10-24-40 API LOAD CHART 9.2 METERS EXTENDED								API PEDESTAL REACTIONS (REACTIONS @ 3 X OFFBOARD RATED LOAD) (OTM = OVERTURNING MOMENT)
REACH (METERS)	BOOM ANGLE (DEG.)	OFFBOARD LOAD (KGS.)	ONBOARD LOAD (KGS.)	REACH (METERS)	BOOM ANGLE (DEG.)	OFFBOARD LOAD (KGS.)	ONBOARD LOAD (KGS.)	
3.0	72	4423	4423	7.6	35	2427	3697	
4.6	61	3935	4423	9.1	0	1463	2251	
6.1	50	3073	4423					

MODEL TC10-24-40 API LOAD CHART 12.2 METERS EXTENDED								API PEDESTAL REACTIONS (REACTIONS @ 3 X OFFBOARD RATED LOAD) (OTM = OVERTURNING MOMENT)
REACH (METERS)	BOOM ANGLE (DEG.)	OFFBOARD LOAD (KGS.)	ONBOARD LOAD (KGS.)	REACH (METERS)	BOOM ANGLE (DEG.)	OFFBOARD LOAD (KGS.)	ONBOARD LOAD (KGS.)	
3.0	76	4423	4423	9.1	42	1814	2778	
4.6	69	3685	4423	10.7	30	1497	2302	
6.1	61	2790	4423	12.2	0	873	1367	
7.6	52	2211	3374					

IN ACCORDANCE WITH API-2C, VALUES SHOWN ARE ACTUAL HOOK LOAD (WEIGHT OF BLOCK AND HOOK EXCLUDED).
 LOAD LINE BLOCK WEIGHT IS 113 KGS.
 LOAD LINE (2 PART LINE): 9/16" 19X7 EIPS IWRC; 11,363 KGS. BREAKING STRENGTH; 2,272 KGS. WORKING STRENGTH.
 ONBOARD LOAD = 1.5 X OFFBOARD LOAD.
 PEDESTAL REACTIONS ARE BASED ON THREE TIMES THE OFFBOARD LOAD PLUS DEAD LOAD