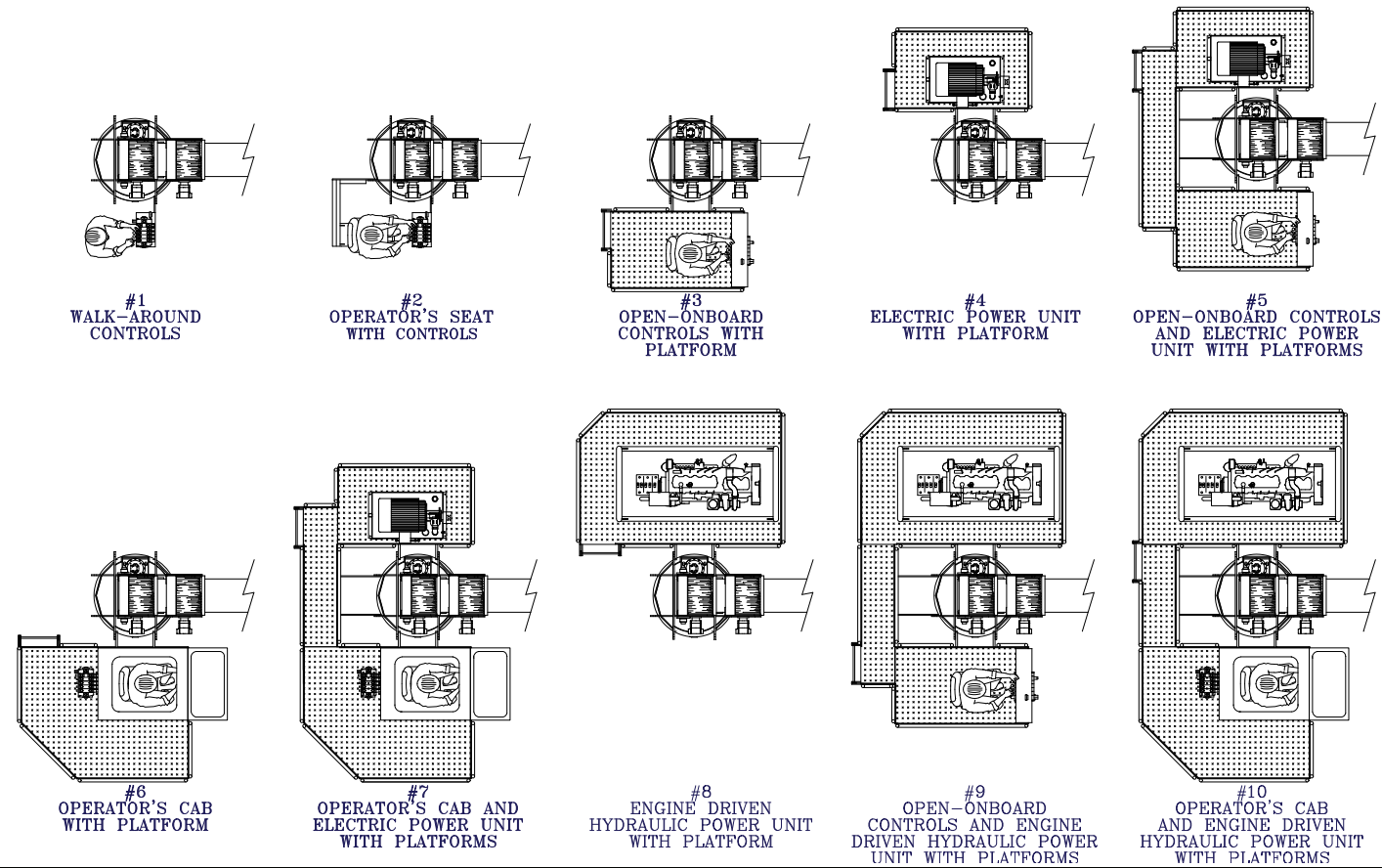


EBI CRANES

MODEL TC20-33-60 CRANES AVAILABLE CONFIGURATIONS



TAIL SWING CHART @ 0° BOOM ANGLE *

CONFIGURATION	MAXIMUM TAIL SWING	CONFIGURATION	MAXIMUM TAIL SWING	CONFIGURATION	MAXIMUM TAIL SWING	CONFIGURATION	MAXIMUM TAIL SWING
1	3'-11" Radius	4	6'-9" Radius	7	8'-7" Radius	10	9'-1" Radius
2	5'-2" Radius	5	6'-9" Radius	8	9'-1" Radius	*TAIL SWING VALUES MAY BE EXCEEDED DEPENDING UPON WINCH MOUNT OPTIONS	
3	6'-9" Radius	6	8'-7" Radius	9	9'-1" Radius		



ELEVATING BOATS LLC

Corporate/EBI Liftboats, LLC. - 201 Dean Court - Houma, LA 70363
 Phone: (985) 868-9655 Fax: (985) 868-9656

EBI Cranes, LLC. - 900 St. Bernard Pkwy. - Braithwaite, LA 70040
 Phone: (504) 682-5245 Fax: (504) 682-5296

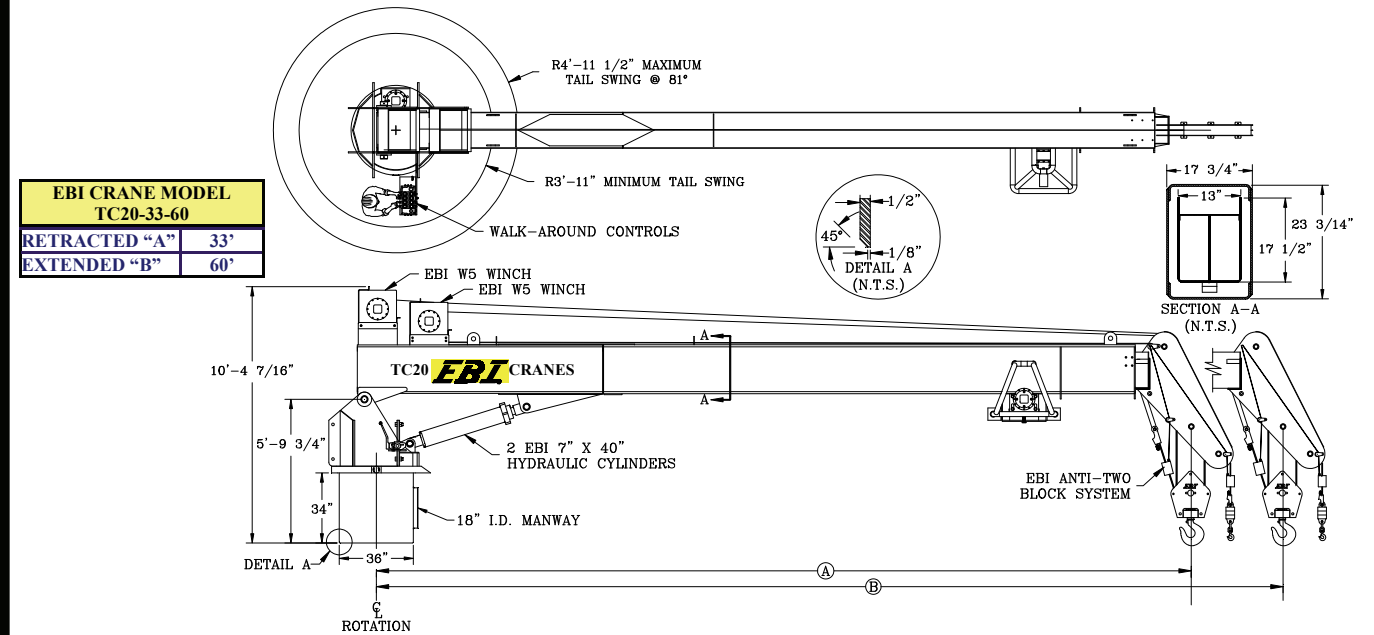
EBI Machining, LLC. - 40495 West I-55 Service Road - Ponchatoula, LA 70454
 Phone: (985) 386-2053 Fax: (985) 386-2084

Email: postmaster@ebi-inc.com Website: www.ebi-inc.com

06REV101711

EBI CRANES

MODEL TC20-33-60 TELESCOPIC BOOM CRANES



STANDARD EQUIPMENT:

- EBI CRANES ARE LICENSED MONOGRAM CRANES UNDER API-2C SPECIFICATIONS.
- EBI CRANES MEET OSHA REQUIREMENTS.
- PLANETARY SWING MECHANISM WITH ADJUSTABLE MOUNT, HIGH TORQUE MOTOR AND AUTOMATIC SPRING APPLIED BRAKES.
- DOUBLE HYDRAULIC SWIVEL FOR CONTINUOUS ROTATION.
- INDUCTION HARDENED CHROME PLATED CYLINDER RODS.
- 18" I.D. MANWAY WITH BOLTED COVER.
- THREE COLOR, SAFE LOAD INDICATOR GAUGE.
- RACK AND PINION TELESCOPIC SYSTEM. THERE ARE NO INTERNAL BOOM CYLINDERS.
- LOAD LINE WINCH IS DESIGNED FOR PERSONNEL HANDLING. WINCH CAPACITY IS 5000 LB. LINE PULL REEVED UP TO TWO PART LINE WITH FORGED HOOK AND SAFETY LATCH.
- THREE COAT MARINE PAINT SYSTEM.
- ANTI-FRICTION BEARINGS IN THE SHEAVES.
- BRONZE BUSHINGS ON ALL PIVOTING POINTS.
- LOAD TEST AT TWICE API OFFBOARD LOAD BEFORE SHIPPING.

EBI PRODUCTS AND SPECIFICATIONS ARE SUBJECT TO CHANGE WITHOUT NOTICE OR OBLIGATIONS.

OPTIONAL EQUIPMENT:

- EBI CRANES TO MEET ABS AND USCG REQUIREMENTS.
- CRANE CONTROL LOCATIONS
 - PEDESTAL MOUNTED WALKAROUND
 - REMOTELY LOCATED
 - VARIOUS PLATFORM CONFIGURATIONS
 - CAB MOUNTED JOY STICK TYPE
- SOLAR/BATTERY POWERED BOOM BEACONS.
- BOOM LIGHTING.
- COMPLETE HYDRAULIC SAFETY SYSTEM DETECTING THE MOMENT INDUCED BY LOAD ON THE CRANE TO HELP PREVENT OVERLOAD CONDITIONS.
- POWER UNITS CAN BE CRANE MOUNTED OR REMOTELY LOCATED.
- POWER UNITS: ELECTRIC MOTOR, AIR MOTOR, OR DIESEL ENGINE (DETROIT DIESEL, CUMMINS, CATERPILLAR, DEUTZ AIR COOLED, ETC.).
- DIESEL ENGINE STARTER SYSTEMS: ELECTRIC, AIR OR HYDRAULIC.
- AIR/HYDRAULIC OIL HEAT EXCHANGER.
- 17-4 PH STAINLESS STEEL, HEAT TREATED, CHROME PLATED CYLINDER RODS.
- 440C STAINLESS STEEL, HEAT TREATED PINS.
- FAST LINE WINCH DESIGNED FOR PERSONNEL HANDLING. WINCH CAPACITY IS 5000 LB. LINE PULL. (1000 LB. FOR PERSONNEL)
- ANTI-TWO BLOCK SYSTEM.
- EMERGENCY LOAD LOWERING SYSTEM.

EBI Cranes, LLC.



900 St. Bernard Pkwy. Braithwaite, LA 70040
 Phone: (504) 682-5245 Fax: (985) 386-2084
 Email: cranes@ebi-inc.com Website: www.ebi-inc.com
 1-800-843-2895

08REV101711

EBI CRANES

MODEL TC20-33-60 TELESCOPIC BOOM CRANES (U.S. CUSTOMARY UNITS)

MODEL TC20-33-60 API LOAD CHART 33 FT. RETRACTED								BASIC CRANE WEIGHT: 13,344 LBS.	
REACH (FT.)	BOOM ANGLE (DEG.)	OFFBOARD LOAD (LBS.)	ONBOARD LOAD (LBS.)	REACH (FT.)	BOOM ANGLE (DEG.)	OFFBOARD LOAD (LBS.)	ONBOARD LOAD (LBS.)	API PEDESTAL REACTIONS (REACTIONS @ 3 X OFFBOARD RATED LOAD) (OTM = OVERTURNING MOMENT)	
10	73	19450	19450	25	43	6975	10738	MAXIMUM OTM = 763,559 FT. LBS. CORRESPONDING AXIAL FORCE = 59,661 LBS.	
15	64	14875	19450	30	27	4725	7363	MAXIMUM AXIAL FORCE = 73,334 LBS. CORRESPONDING OTM = 656,040 FT. LBS.	
20	54	10000	15275	33	0	3525	5563		

MODEL TC20-33-60 API LOAD CHART 40 FT. EXTENDED								BASIC CRANE WEIGHT: 13,344 LBS.	
REACH (FT.)	BOOM ANGLE (DEG.)	OFFBOARD LOAD (LBS.)	ONBOARD LOAD (LBS.)	REACH (FT.)	BOOM ANGLE (DEG.)	OFFBOARD LOAD (LBS.)	ONBOARD LOAD (LBS.)	API PEDESTAL REACTIONS (REACTIONS @ 3 X OFFBOARD RATED LOAD) (OTM = OVERTURNING MOMENT)	
10	76	12100	12100	30	42	5000	7775		
15	69	12100	12100	35	30	3575	5638		
20	61	10450	12100	40	0	2350	3800		
25	52	7275	11188						

MODEL TC20-33-60 API LOAD CHART 50 FT. EXTENDED								BASIC CRANE WEIGHT: 13,344 LBS.	
REACH (FT.)	BOOM ANGLE (DEG.)	OFFBOARD LOAD (LBS.)	ONBOARD LOAD (LBS.)	REACH (FT.)	BOOM ANGLE (DEG.)	OFFBOARD LOAD (LBS.)	ONBOARD LOAD (LBS.)	API PEDESTAL REACTIONS (REACTIONS @ 3 X OFFBOARD RATED LOAD) (OTM = OVERTURNING MOMENT)	
10	79	12100	12100	35	46	3950	6200		
15	73	11250	12100	40	38	2950	4700		
20	67	9250	12100	45	27	1975	3238		
25	61	7600	11675	50	0	1150	2000		
30	54	5475	8488						

MODEL TC20-33-60 API LOAD CHART 60 FT. EXTENDED								BASIC CRANE WEIGHT: 13,344 LBS.	
REACH (FT.)	BOOM ANGLE (DEG.)	OFFBOARD LOAD (LBS.)	ONBOARD LOAD (LBS.)	REACH (FT.)	BOOM ANGLE (DEG.)	OFFBOARD LOAD (LBS.)	ONBOARD LOAD (LBS.)	API PEDESTAL REACTIONS (REACTIONS @ 3 X OFFBOARD RATED LOAD) (OTM = OVERTURNING MOMENT)	
10	81	8475	12100	40	49	3125	4963		
15	76	6775	10438	45	42	2150	3500		
20	71	5600	8675	50	34	1500	2525		
25	66	4775	7438	55	24	900	1625		
30	60	4425	6913	60	0	350	800		
35	55	3900	6125						

IN ACCORDANCE WITH API-2C, VALUES SHOWN ARE ACTUAL HOOK LOAD (WEIGHT OF BLOCK AND HOOK EXCLUDED).
 LOAD LINE BLOCK WEIGHT IS 450 LBS.
 LOAD LINE (4 PART LINE): 9/16" 19X7 EIPS IWRC; 25,000 LB. BREAKING STRENGTH; 5,000 LB. WORKING STRENGTH.
 FAST LINE BLOCK WEIGHT IS 100 LBS.
 FAST LINE (1 PART LINE): 9/16" 19X7 EIPS IWRC; 25,000 LB. BREAKING STRENGTH; 5,000 LB. WORKING STRENGTH.
 ONBOARD LOAD = 1.5 X OFFBOARD LOAD.
 PEDESTAL REACTIONS ARE BASED ON THREE TIMES THE OFFBOARD LOAD PLUS DEAD LOAD

EBI CRANES

MODEL TC20-33-60 TELESCOPIC BOOM CRANES (INTERNATIONAL METRIC UNITS)

MODEL TC20-33-60 API LOAD CHART 10 METERS RETRACTED								BASIC CRANE WEIGHT: 6,065 KGS.	
REACH (METERS)	BOOM ANGLE (DEG.)	OFFBOARD LOAD (KGS.)	ONBOARD LOAD (KGS.)	REACH (METERS)	BOOM ANGLE (DEG.)	OFFBOARD LOAD (KGS.)	ONBOARD LOAD (KGS.)	API PEDESTAL REACTIONS (REACTIONS @ 3 X OFFBOARD RATED LOAD) (OTM = OVERTURNING MOMENT)	
3.0	73	8822	8822	7.6	43	3164	4871	MAXIMUM OTM = 115 TON METERS CORRESPONDING AXIAL FORCE = 27,118 KGS.	
4.6	64	6747	8822	9.1	27	2143	3340	MAXIMUM AXIAL FORCE = 33,333 KGS. CORRESPONDING OTM = 99 TON METERS	
6.1	54	4536	6929	10.1	0	1599	2523		

MODEL TC20-33-60 API LOAD CHART 12.2 METERS EXTENDED								BASIC CRANE WEIGHT: 6,065 KGS.	
REACH (METERS)	BOOM ANGLE (DEG.)	OFFBOARD LOAD (KGS.)	ONBOARD LOAD (KGS.)	REACH (METERS)	BOOM ANGLE (DEG.)	OFFBOARD LOAD (KGS.)	ONBOARD LOAD (KGS.)	API PEDESTAL REACTIONS (REACTIONS @ 3 X OFFBOARD RATED LOAD) (OTM = OVERTURNING MOMENT)	
3.0	76	5489	5489	9.1	42	2268	3527		
4.6	69	5489	5489	10.7	30	1622	2557		
6.1	61	4740	5489	12.2	0	1066	1724		
7.6	52	3300	5075						

MODEL TC20-33-60 API LOAD CHART 15.2 METERS EXTENDED								BASIC CRANE WEIGHT: 6,065 KGS.	
REACH (METERS)	BOOM ANGLE (DEG.)	OFFBOARD LOAD (KGS.)	ONBOARD LOAD (KGS.)	REACH (METERS)	BOOM ANGLE (DEG.)	OFFBOARD LOAD (KGS.)	ONBOARD LOAD (KGS.)	API PEDESTAL REACTIONS (REACTIONS @ 3 X OFFBOARD RATED LOAD) (OTM = OVERTURNING MOMENT)	
3.0	79	5489	5489	10.7	46	1792	2812		
4.6	73	5103	5489	12.2	38	1338	2132		
6.1	67	4196	5489	13.7	27	896	1469		
7.6	61	3447	5296	15.2	0	522	907		
9.1	54	2483	3850						

MODEL TC20-33-60 API LOAD CHART 18.3 METERS EXTENDED								BASIC CRANE WEIGHT: 6,065 KGS.	
REACH (METERS)	BOOM ANGLE (DEG.)	OFFBOARD LOAD (KGS.)	ONBOARD LOAD (KGS.)	REACH (METERS)	BOOM ANGLE (DEG.)	OFFBOARD LOAD (KGS.)	ONBOARD LOAD (KGS.)	API PEDESTAL REACTIONS (REACTIONS @ 3 X OFFBOARD RATED LOAD) (OTM = OVERTURNING MOMENT)	
3.0	81	3844	5489	12.2	49	1418	2251		
4.6	76	3073	4735	13.7	42	975	1588		
6.1	71	2540	3935	15.2	34	680	1145		
7.6	66	2166	3374	16.8	24	408	737		
9.1	60	2007	3136	18.3	0	159	363		
10.7	55	1769	2778						

IN ACCORDANCE WITH API-2C, VALUES SHOWN ARE ACTUAL HOOK LOAD (WEIGHT OF BLOCK AND HOOK EXCLUDED).
 LOAD LINE BLOCK WEIGHT IS 204 KGS.
 LOAD LINE (4 PART LINE): 9/16" 19X7 EIPS IWRC; 11,363 KGS. BREAKING STRENGTH; 2,272 KGS. WORKING STRENGTH.
 FAST LINE BLOCK WEIGHT IS 45.4 KGS.
 FAST LINE (1 PART LINE): 9/16" 19X7 EIPS IWRC; 11,363 KGS. BREAKING STRENGTH; 2,272 KGS. WORKING STRENGTH.
 ONBOARD LOAD = 1.5 X OFFBOARD LOAD.
 PEDESTAL REACTIONS ARE BASED ON THREE TIMES THE OFFBOARD LOAD PLUS DEAD LOAD