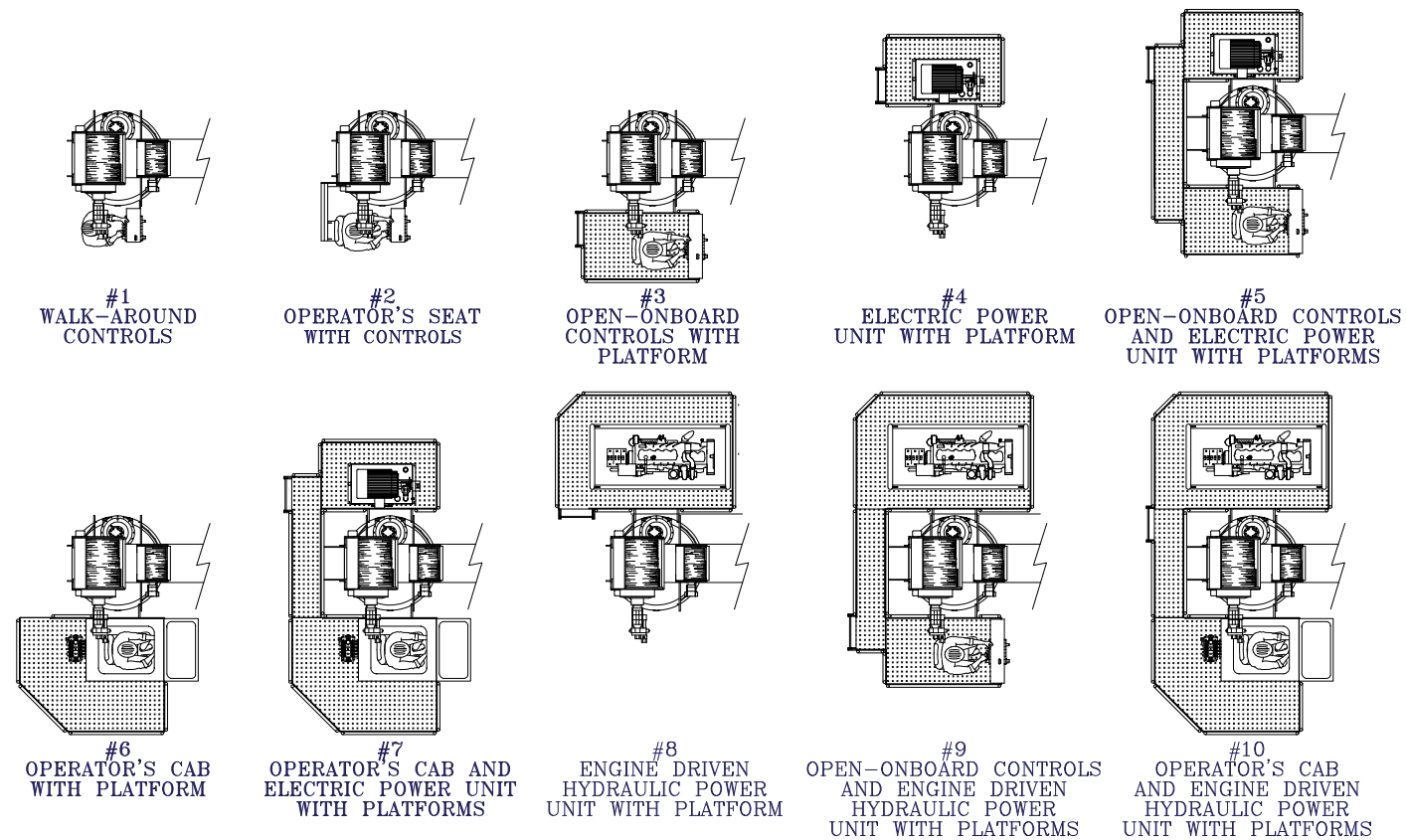


# EBI CRANES

## MODEL TC30-25-40 CRANES AVAILABLE CONFIGURATIONS



### TAIL SWING CHART @ 0° BOOM ANGLE \*

CONFIGURATION	MAXIMUM TAIL SWING	CONFIGURATION	MAXIMUM TAIL SWING	CONFIGURATION	MAXIMUM TAIL SWING	CONFIGURATION	MAXIMUM TAIL SWING
1	4'-6" Radius	4	7'-2" Radius	7	9'-1" Radius	10	9'-6" Radius
2	5'-4" Radius	5	7'-2" Radius	8	9'-6" Radius	*TAIL SWING VALUES MAY BE EXCEEDED DEPENDING UPON WINCH MOUNT OPTIONS	
3	7'-2" Radius	6	9'-1" Radius	9	9'-6" Radius		



### ELEVATING BOATS LLC

Corporate/EBI Liftboats, LLC. - 201 Dean Court - Houma, LA 70363

Phone: (985) 868-9655 Fax: (985) 868-9656

EBI Cranes, LLC. - 900 St. Bernard Pkwy. - Braithwaite, LA 70040

Phone: (504) 682-5245 Fax: (504) 682-5296

EBI Machining, LLC. - 40495 West I-55 Service Road - Ponchatoula, LA 70454

Phone: (985) 386-2053 Fax: (985) 386-2084

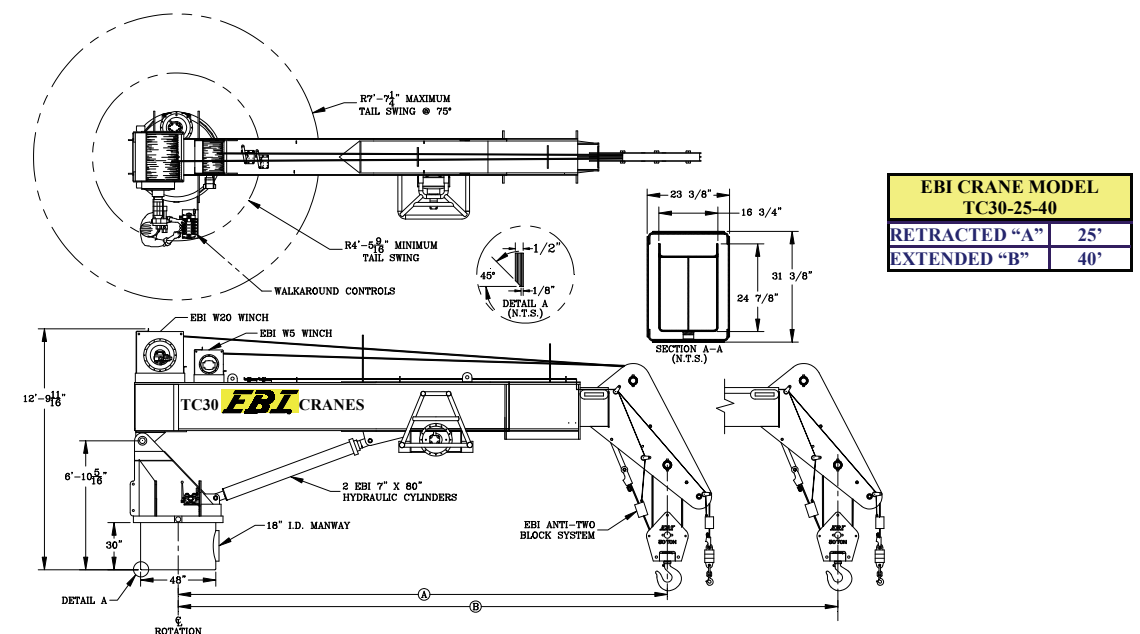
Email: postmaster@ebi-inc.com

Website: www.ebi-inc.com

06REV101811

# EBI CRANES

## MODEL TC30-25-40 TELESCOPIC BOOM CRANES



### STANDARD EQUIPMENT:

- EBI CRANES ARE LICENSED MONOGRAM CRANES UNDER API-2C SPECIFICATIONS.
- EBI CRANES MEET OSHA REQUIREMENTS.
- PLANETARY SWING MECHANISM WITH ADJUSTABLE MOUNT, HIGH TORQUE MOTOR AND AUTOMATIC SPRING APPLIED BRAKES.
- DOUBLE HYDRAULIC SWIVEL FOR CONTINUOUS ROTATION.
- INDUCTION HARDENED CHROME PLATED CYLINDER RODS.
- 18" I.D. MANWAY WITH BOLTED COVER.
- THREE COLOR, SAFE LOAD INDICATOR GAUGE.
- RACK AND PINION TELESCOPIC SYSTEM. THERE ARE NO INTERNAL BOOM CYLINDERS.
- LOAD LINE WINCH: 2 SPEED MOTOR
- THREE COAT MARINE PAINT SYSTEM.
- ANTI-FRICTION BEARINGS IN THE SHEAVES.
- BRONZE BUSHINGS ON ALL PIVOTING POINTS.
- LOAD TEST AT TWICE API OFFBOARD LOAD BEFORE SHIPPING.

EBI PRODUCTS AND SPECIFICATIONS ARE SUBJECT TO CHANGE WITHOUT NOTICE OR OBLIGATIONS.

### OPTIONAL EQUIPMENT:

- EBI CRANES TO MEET ABS AND USCG REQUIREMENTS.
- CRANE CONTROL LOCATIONS
  - PEDESTAL MOUNTED WALKAROUND
  - REMOTELY LOCATED
  - VARIOUS PLATFORM CONFIGURATIONS
  - CAB MOUNTED JOY STICK TYPE
- SOLAR/BATTERY POWERED BOOM BEACONS.
- BOOM LIGHTING.
- COMPLETE HYDRAULIC SAFETY SYSTEM DETECTING THE MOMENT INDUCED BY LOAD ON THE CRANE TO HELP PREVENT OVERLOAD CONDITION.
- POWER UNITS CAN BE CRANE MOUNTED OR REMOTELY LOCATED.
- POWER UNITS: ELECTRIC MOTOR, AIR MOTOR, OR DIESEL ENGINE (DETROIT DIESEL, CUMMINS, CATERPILLAR, DEUTZ AIR COOLED, ETC.).
- DIESEL ENGINE STARTER SYSTEMS: ELECTRIC, AIR OR HYDRAULIC.
- AIR/HYDRAULIC OIL HEAT EXCHANGER.
- 17-4 PH STAINLESS STEEL, HEAT TREATED, CHROME PLATED CYLINDER RODS.
- 440C STAINLESS STEEL, HEAT TREATED PINS.
- FAST LINE WINCH DESIGNED FOR PERSONNEL HANDLING. WINCH CAPACITY IS 5000 LB. LINE PULL. (1000 LB. FOR PERSONNEL)
- ANTI-TWO BLOCK SYSTEM.
- EMERGENCY LOAD LOWERING SYSTEM.

## EBI Cranes, LLC.



900 St. Bernard Pkwy. Braithwaite, LA 70040  
 Phone: (504) 682-5245 Fax (985) 386-2084  
 Email: cranes@ebi-inc.com Website: www.ebi-inc.com  
 1-800-843-2895

08REV101811

# EBI CRANES

## MODEL TC30-25-40 TELESCOPIC BOOM CRANES (U.S. CUSTOMARY UNITS)

MODEL TC30-25-40 API LOAD CHART 25 FT. RETRACTED								BASIC CRANE WEIGHT: 23,671 LBS.	
REACH (FT.)	BOOM ANGLE (DEG.)	OFFBOARD LOAD (LBS.)	ONBOARD LOAD (LBS.)	REACH (FT.)	BOOM ANGLE (DEG.)	OFFBOARD LOAD (LBS.)	ONBOARD LOAD (LBS.)	API PEDESTAL REACTIONS (REACTIONS @ 3 X OFFBOARD RATED LOAD) (OTM = OVERTURNING MOMENT)	
10	66.5	40090	60840	25	0.0	15090	23340	MAXIMUM OTM = 1,552,900 FT. LBS. CORRESPONDING AXIAL FORCE = 95,690 LBS.	
15	54.0	30090	45840					MAXIMUM AXIAL FORCE = 148,200 LBS.	
20	38.0	22590	34590					CORRESPONDING OTM = 1,285,500 FT. LBS.	

MODEL TC30-25-40 API LOAD CHART 30 FT. EXTENDED								BASIC CRANE WEIGHT: 23,671 LBS.	
REACH (FT.)	BOOM ANGLE (DEG.)	OFFBOARD LOAD (LBS.)	ONBOARD LOAD (LBS.)	REACH (FT.)	BOOM ANGLE (DEG.)	OFFBOARD LOAD (LBS.)	ONBOARD LOAD (LBS.)	API PEDESTAL REACTIONS (REACTIONS @ 3 X OFFBOARD RATED LOAD) (OTM = OVERTURNING MOMENT)	
10	70.5	27290	27290	25	35.0	17340	26715	MAXIMUM OTM = 1,536,900 FT. LBS. CORRESPONDING AXIAL FORCE = 79,930 LBS.	
15	60.0	24440	27290	30	0.0	12090	18840	MAXIMUM AXIAL FORCE = 109,780 LBS.	
20	49.0	22090	27290					CORRESPONDING OTM = 881,820 FT. LBS.	

MODEL TC30-25-40 API LOAD CHART 35 FT. EXTENDED								BASIC CRANE WEIGHT: 23,671 LBS.	
REACH (FT.)	BOOM ANGLE (DEG.)	OFFBOARD LOAD (LBS.)	ONBOARD LOAD (LBS.)	REACH (FT.)	BOOM ANGLE (DEG.)	OFFBOARD LOAD (LBS.)	ONBOARD LOAD (LBS.)	API PEDESTAL REACTIONS (REACTIONS @ 3 X OFFBOARD RATED LOAD) (OTM = OVERTURNING MOMENT)	
10	73.0	22490	27290	25	45.0	13840	21465	MAXIMUM OTM = 1,414,800 FT. LBS. CORRESPONDING AXIAL FORCE = 65,380 LBS.	
15	64.5	18340	27290	30	32.0	12490	19440	MAXIMUM AXIAL FORCE = 95,380 LBS.	
20	56.0	16090	24840	35	0.0	9840	15465	CORRESPONDING OTM = 744,410 FT. LBS.	

MODEL TC30-25-40 API LOAD CHART 40 FT. EXTENDED								BASIC CRANE WEIGHT: 23,671 LBS.	
REACH (FT.)	BOOM ANGLE (DEG.)	OFFBOARD LOAD (LBS.)	ONBOARD LOAD (LBS.)	REACH (FT.)	BOOM ANGLE (DEG.)	OFFBOARD LOAD (LBS.)	ONBOARD LOAD (LBS.)	API PEDESTAL REACTIONS (REACTIONS @ 3 X OFFBOARD RATED LOAD) (OTM = OVERTURNING MOMENT)	
10	75.0	18590	26590	30	42.0	9490	14940	MAXIMUM OTM = 1,396,800 FT. LBS. CORRESPONDING AXIAL FORCE = 52,480 LBS.	
15	68.0	15090	23340	35	30.0	8340	13530	MAXIMUM AXIAL FORCE = 83,680 LBS.	
20	60.0	12390	19290	40	0.0	8190	12990	CORRESPONDING OTM = 625,330 FT. LBS.	
25	52.0	11090	17340						

IN ACCORDANCE WITH API-2C, VALUES SHOWN ARE ACTUAL HOOK LOAD (WEIGHT OF BLOCK AND HOOK EXCLUDED).  
 LOAD LINE BLOCK WEIGHT IS 1300 LBS.  
 LOAD LINE (4 PART LINE): 1" 6X25 EIPS IWRC; 100,000 LB. BREAKING STRENGTH; 20,000 LB. WORKING STRENGTH.  
 FAST LINE BLOCK WEIGHT IS 110 LBS.  
 FAST LINE (1 PART LINE): 9/16" 19X7 EIPS IWRC; 25,000 LB. BREAKING STRENGTH; 5,000 LB. WORKING STRENGTH.  
 ONBOARD LOAD = 1.5 X OFFBOARD LOAD.  
 PEDESTAL REACTIONS ARE BASED ON THREE TIMES THE OFFBOARD LOAD PLUS DEAD LOAD

# EBI CRANES

## MODEL TC30-25-40 TELESCOPIC BOOM CRANES (INTERNATIONAL METRIC UNITS)

MODEL TC30-25-40 API LOAD CHART 7.6 METERS RETRACTED								BASIC CRANE WEIGHT: 10,737 KGS.	
REACH (METERS)	BOOM ANGLE (DEG.)	OFFBOARD LOAD (KGS.)	ONBOARD LOAD (KGS.)	REACH (METERS)	BOOM ANGLE (DEG.)	OFFBOARD LOAD (KGS.)	ONBOARD LOAD (KGS.)	API PEDESTAL REACTIONS (REACTIONS @ 3 X OFFBOARD RATED LOAD) (OTM = OVERTURNING MOMENT)	
3.0	66.5	18185	27597	7.6	0.0	6845	10587	MAXIMUM OTM = 215 TON METERS CORRESPONDING AXIAL FORCE = 43,404 KGS.	
4.6	54.0	13649	20793					MAXIMUM AXIAL FORCE = 67,222 KGS.	
6.1	38.0	10247	15690					CORRESPONDING OTM = 178 TON METERS	

MODEL TC30-25-40 API LOAD CHART 9.1 METERS EXTENDED								BASIC CRANE WEIGHT: 10,737 KGS.	
REACH (METERS)	BOOM ANGLE (DEG.)	OFFBOARD LOAD (KGS.)	ONBOARD LOAD (KGS.)	REACH (METERS)	BOOM ANGLE (DEG.)	OFFBOARD LOAD (KGS.)	ONBOARD LOAD (KGS.)	API PEDESTAL REACTIONS (REACTIONS @ 3 X OFFBOARD RATED LOAD) (OTM = OVERTURNING MOMENT)	
3.0	70.5	12378	12378	7.6	35.0	7865	12118	MAXIMUM OTM = 213 TON METERS CORRESPONDING AXIAL FORCE = 36,256 KGS.	
4.6	60.0	11086	12378	9.1	0.0	5484	8546	MAXIMUM AXIAL FORCE = 49,795 KGS.	
6.1	49.0	10020	12378					CORRESPONDING OTM = 122 TON METERS	

MODEL TC30-25-40 API LOAD CHART 10.7 METERS EXTENDED								BASIC CRANE WEIGHT: 10,737 KGS.	
REACH (METERS)	BOOM ANGLE (DEG.)	OFFBOARD LOAD (KGS.)	ONBOARD LOAD (KGS.)	REACH (METERS)	BOOM ANGLE (DEG.)	OFFBOARD LOAD (KGS.)	ONBOARD LOAD (KGS.)	API PEDESTAL REACTIONS (REACTIONS @ 3 X OFFBOARD RATED LOAD) (OTM = OVERTURNING MOMENT)	
3.0	73.0	10201	12378	7.6	45.0	6278	9736	MAXIMUM OTM = 196 TON METERS CORRESPONDING AXIAL FORCE = 29,656 KGS.	
4.6	64.5	8319	12378	9.1	32.0	5665	8818	MAXIMUM AXIAL FORCE = 43,264 KGS.	
6.1	56.0	7298	11267	10.7	0.0	4463	7015	CORRESPONDING OTM = 103 TON METERS	

MODEL TC30-25-40 API LOAD CHART 12.2 METERS EXTENDED								BASIC CRANE WEIGHT: 10,737 KGS.	
REACH (METERS)	BOOM ANGLE (DEG.)	OFFBOARD LOAD (KGS.)	ONBOARD LOAD (KGS.)	REACH (METERS)	BOOM ANGLE (DEG.)	OFFBOARD LOAD (KGS.)	ONBOARD LOAD (KGS.)	API PEDESTAL REACTIONS (REACTIONS @ 3 X OFFBOARD RATED LOAD) (OTM = OVERTURNING MOMENT)	
3.0	75.0	8432	12061	9.1	42.0	4305	6777	MAXIMUM OTM = 193 TON METERS CORRESPONDING AXIAL FORCE = 23,805 KGS.	
4.6	68.0	6845	10587	10.7	30.0	3783	6137	MAXIMUM AXIAL FORCE = 37,956 KGS.	
6.1	60.0	5520	8750	12.2	0.0	3715	5892	CORRESPONDING OTM = 86.5 TON METERS	
7.6	52.0	5030	7865						

IN ACCORDANCE WITH API-2C, VALUES SHOWN ARE ACTUAL HOOK LOAD (WEIGHT OF BLOCK AND HOOK EXCLUDED).  
 LOAD LINE BLOCK WEIGHT IS 590 KGS.  
 LOAD LINE (4 PART LINE): 1" 6X25 EIPS IWRC; 45,360 KGS. BREAKING STRENGTH; 9,072 KGS. WORKING STRENGTH.  
 FAST LINE BLOCK WEIGHT IS 50 KGS.  
 FAST LINE (1 PART LINE): 9/16" 19X7 EIPS IWRC; 11,400 KGS. BREAKING STRENGTH; 2,268 KGS. WORKING STRENGTH.  
 ONBOARD LOAD = 1.5 X OFFBOARD LOAD.  
 PEDESTAL REACTIONS ARE BASED ON THREE TIMES THE OFFBOARD LOAD PLUS DEAD LOAD