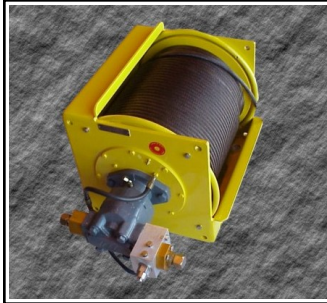




MANUFACTURED HYDRAULIC COMPONENTS

W5-1000 Winch



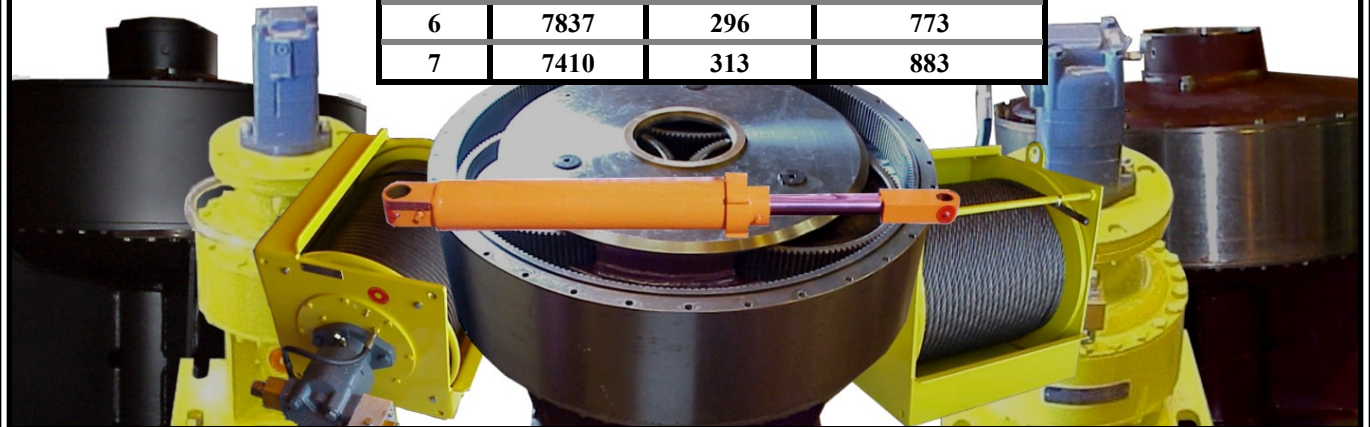
STANDARD FEATURES

- * Factory assembled and tested
- * Marine coating system
- * 1 Year Warranty
- * Commercial Shearing M350 hydraulic motor (std.)
- * General Dimensions: 24 1/4"L x 21 9/16"W x 24 1/4"H
- * Models also available: W5-500, W20-1000, W20-1500, W50-1250 and W50-2500

WINCH PERFORMANCE DATA

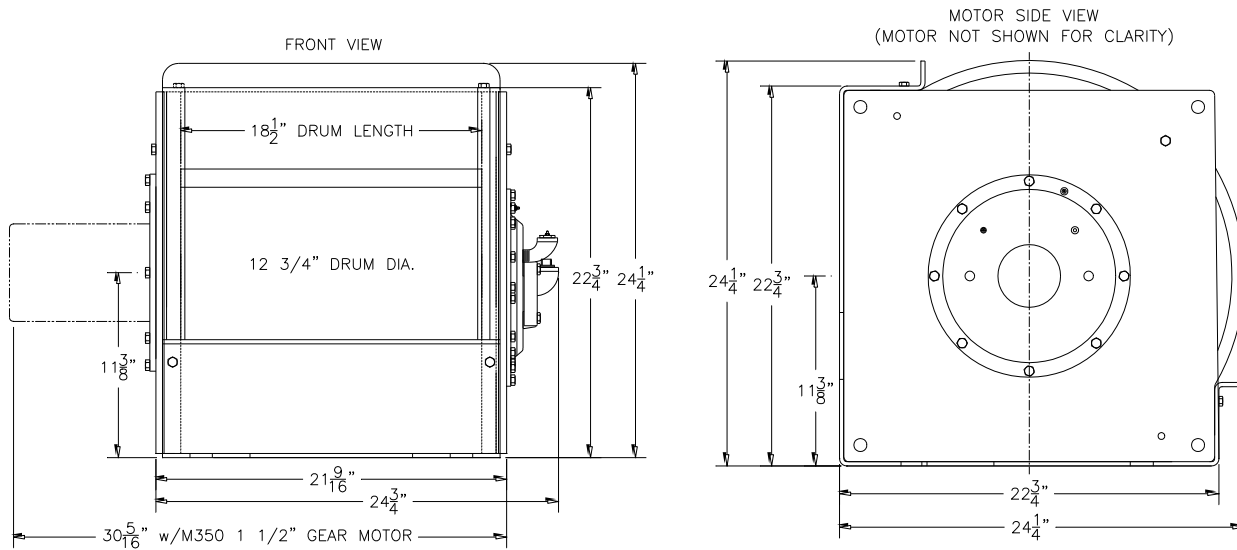
1 1/4" Gear Motor / 3500 PSI @ 2400RPM / 37 GPM / 1/2" Wire Rope				1 1/2" Gear Motor / 3500 PSI @ 2400RPM / 43.5 GPM / 9/16" Wire Rope			
LAYER	LINE PULL (LBS)	LINE SPEED (FPM)	DRUM CAPACITY (FT)	LAYER	LINE PULL (LBS)	LINE SPEED (FPM)	DRUM CAPACITY (FT)
1	7968	209	128	1	9657	210	112
2	7479	222	261	2	8998	225	231
3	7047	236	407	3	8424	240	359
4	6662	250	556	4	7918	256	495
5	6317	263	718	5	7470	271	639
6	6005	277	883	6	7070	286	792
7	5723	290	1062	7	6710	302	952
8	5467	304	1244	8	6386	317	1121
9	5232	318	1400	-	-	-	-

2" Gear Motor / 3500 PSI @ 2400RPM / 57 GPM / 5/8" Wire Rope			
LAYER	LINE PULL (LBS)	LINE SPEED (FPM)	DRUM CAPACITY (FT)
1	11008	211	102
2	10184	228	211
3	9474	245	329
4	8857	262	455
5	8316	279	590
6	7837	296	773
7	7410	313	883





W5-1000 WINCH DIMENSIONAL DATA



- NOTE:**
1. Contact EBI Engineering for optional motor sizes.
 2. Counterbalance shuttle and directional valves can be furnished by EBI.

EBI Winches are designed and manufactured to meet all requirements set forth by API Spec 2C, ABS, USCG and OSHA. EBI winches meet all design requirements for personnel handling. EBI winches must be maintained following the latest API RP-2D Winch Maintenance Guidelines.

ELEVATING BOATS LLC

Corporate/EBI Liftboats, LLC. - 124 Finish Line Lane - Houma, LA 70360
 Phone: (985) 868-9655 Fax: (985) 868-9656

EBI Cranes, LLC. - 900 St. Bernard Pkwy. - Braithwaite, LA 70040
 Phone: (504) 682-5245 Fax: (504) 682-5296

EBI Machining, LLC. - 40495 West I-55 Service Road - Ponchatoula, LA 70454
 Phone: (985) 386-2053 Fax: (985) 386-2084

Email: postmaster@ebi-inc.com



Website: www.ebi-inc.com

