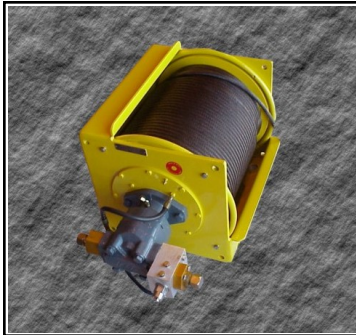




**MANUFACTURED
HYDRAULIC COMPONENTS**

W5-500 Winch



STANDARD FEATURES

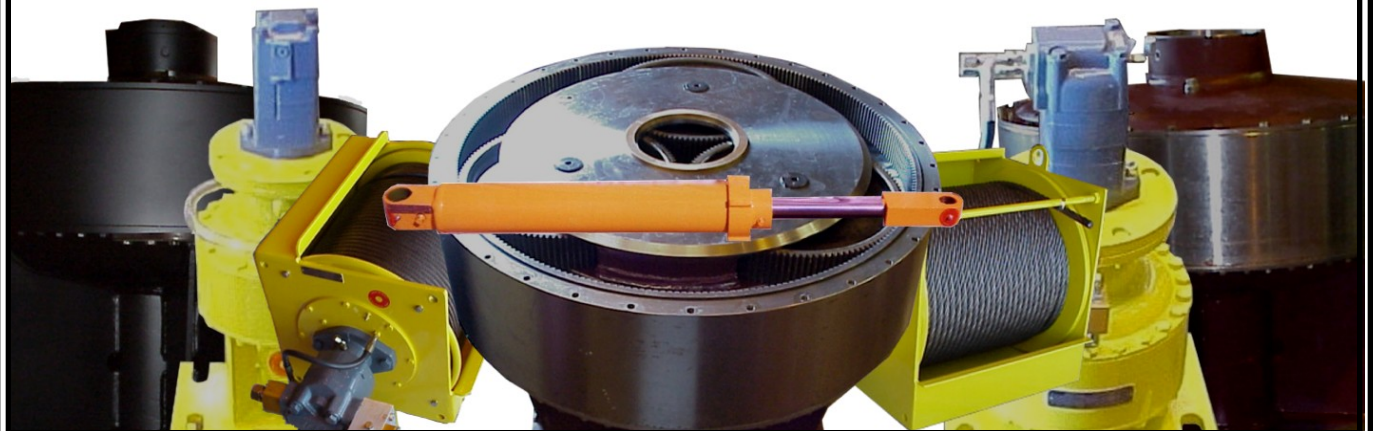
- * Factory assembled and tested
- * Marine coating system
- * Commercial Shearing M350 hydraulic motor (Std.)
- * 1 Year Warranty
- * General Dimensions: 20 1/4”L x 21 9/16”W x 20 1/4”H (w/o hydraulic motor)
- * Models also available: W5-1000, W20-1000, W20-1500, W50-1250 and W50-2500

WINCH PERFORMANCE DATA

1 1/4” Gear Motor / 3500 PSI @ 2400 RPM / 37 GPM / 1/2” Wire Rope				1 1/2” Gear Motor / 3500 PSI @ 2400 RPM / 43.5 GPM / 9/16” Wire Rope			
LAYER	LINE PULL (LBS)	LINE SPEED (FPM)	DRUM CAPACITY (FT)	LAYER	LINE PULL (LBS)	LINE SPEED (FPM)	DRUM CAPACITY (FT)
1	7968	209	132	1	9657	210	118
2	7479	222	269	2	8998	225	242
3	7047	236	418	3	8424	240	378
4	6662	250	571	4	7918	256	518
5	6317	263	737	-	-	-	-

2” Gear Motor / 3500 PSI @ 2400 RPM / 57 GPM / 5/8” Wire Rope			
LAYER	LINE PULL (LBS)	LINE SPEED (FPM)	DRUM CAPACITY (FT)
1	11008	211	105
2	10184	228	219
3	9474	245	341
4	8857	262	471

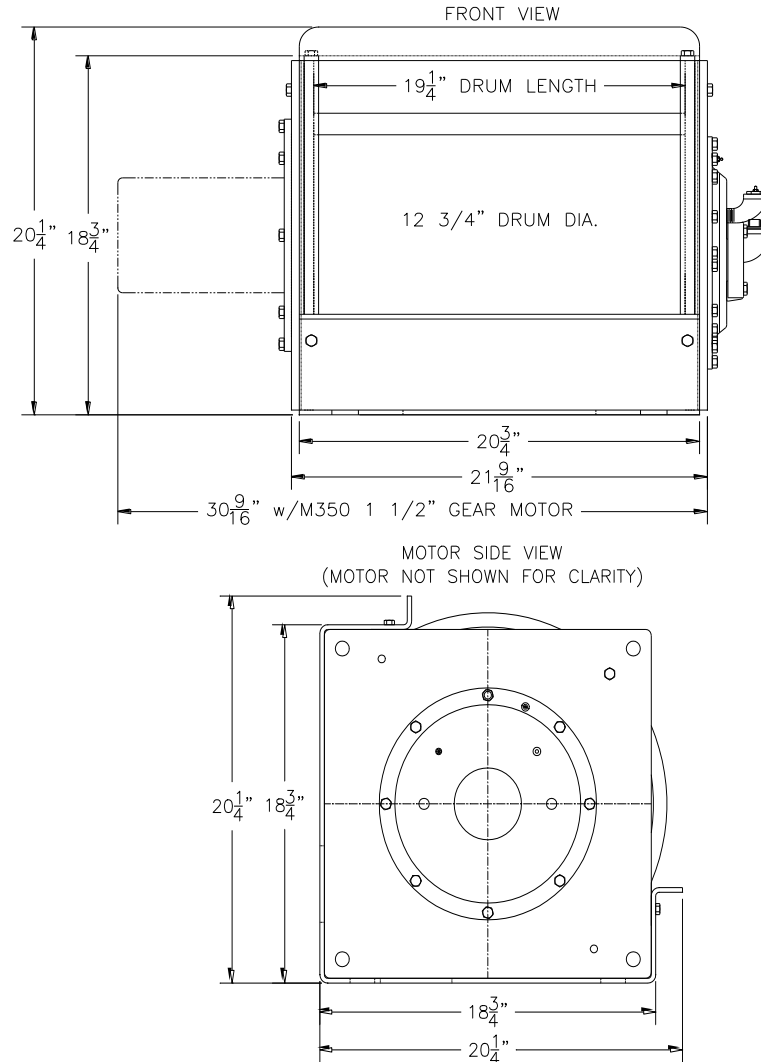
EBI PRODUCTS AND SPECIFICATIONS ARE SUBJECT TO CHANGE WITHOUT NOTICE OR OBLIGATIONS.





MANUFACTURED HYDRAULIC COMPONENTS

W5-500 WINCH DIMENSIONAL DATA



- NOTE:**
1. Contact EBI Engineering for optional motor sizes.
 2. Counterbalance shuttle and directional valves can be furnished by EBI.

EBI Winches are designed and manufactured to meet all requirements set forth by API Spec 2C, ABS, USCG and OSHA. EBI winches meet all design requirements for personnel handling. EBI winches must be maintained following the latest API RP-2D Winch Maintenance Guidelines.

ELEVATING BOATS LLC

Corporate/EBI Liftboats, LLC. - 124 Finish Line Lane - Houma, LA 70360

Phone: (985) 868-9655 Fax: (985) 868-9656

EBI Cranes, LLC. - 900 St. Bernard Pkwy. - Braithwaite, LA 70040

Phone: (504) 682-5245 Fax: (504) 682-5296

EBI Machining, LLC. - 40495 West I-55 Service Road - Ponchatoula, LA 70454

Phone: (985) 386-2053 Fax: (985) 386-2084

Email: postmaster@ebi-inc.com



Website: www.ebi-inc.com

