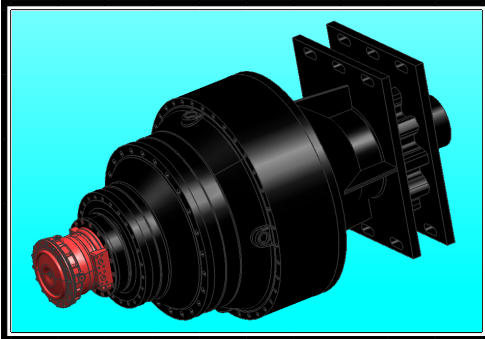




**MANUFACTURED
HYDRAULIC COMPONENTS**

GB380 Planetary Gear Reduction

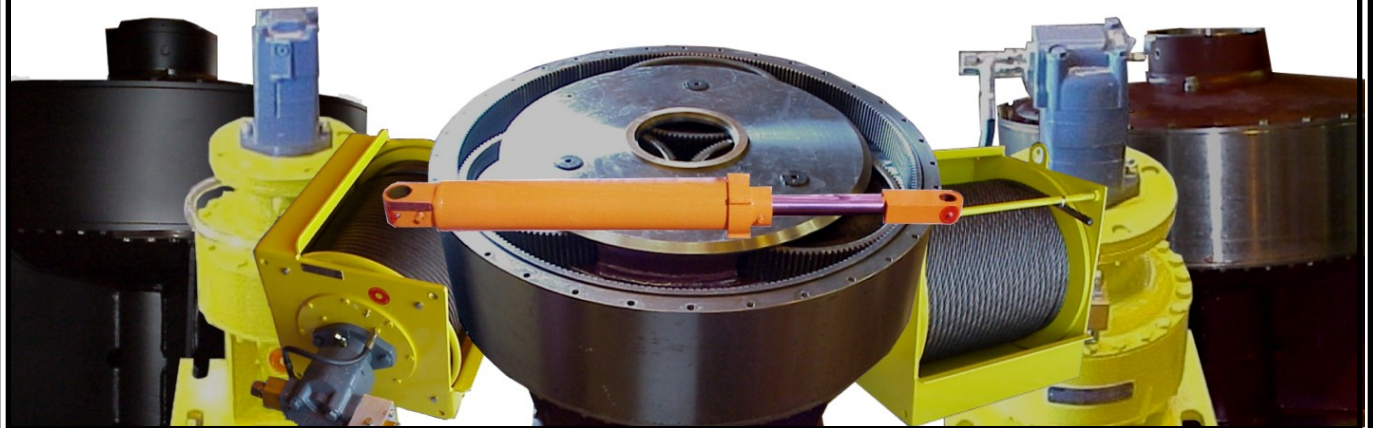


GB380 STANDARD FEATURES

- * Factory assembled and tested
- * Marine coating system
- * Hydraulic motor size determined by Engineering
- * 1 Year Warranty
- * General dimensions with outboard bearing:
96”L x 41-3/4”O.D. (with hydraulic motor)
- * Models also available: GB73, TGB73, SGB73,
TGB40, SGB40, GB82 and GB450
- * Approximate weight: 9,000 lbs.

GB380 PLANETARY GEAR REDUCTION PERFORMANCE DATA

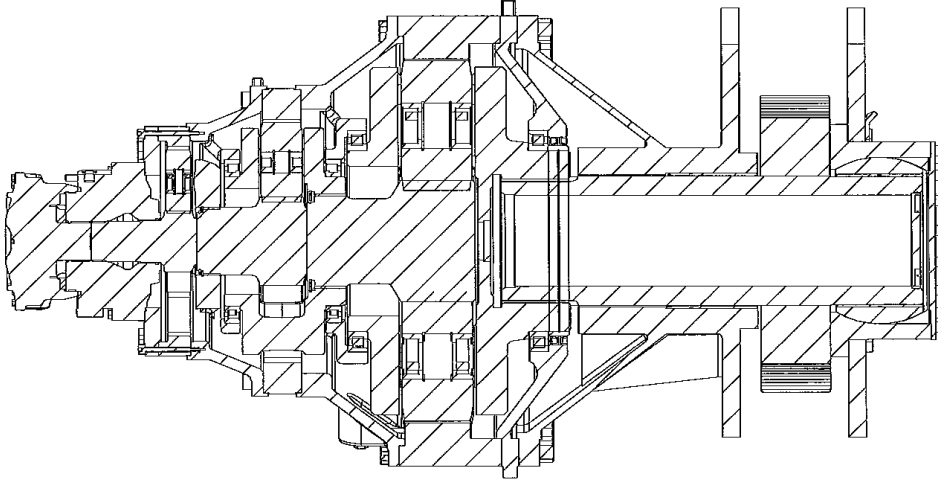
SPECIFICATIONS			
RATIO	82.5:1	JACKING CAPACITY	380,000 LBS.
HOLDING	510,000 LBS.	SEVERE STORM	750,000 LBS.
PINION			
Do=OUTSIDE DIAMETER D=PITCH DIAMETER F=FACE WIDTH			
Do=28.7”	D=24.6”	12 Tooth .400 DP	F = 6”
Pinions available in ASTM A514Q material.			



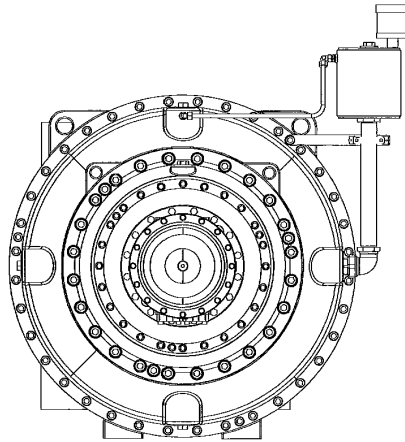
EBI[®]

MANUFACTURED HYDRAULIC COMPONENTS

GB380 PLANETARY GEAR REDUCTION DIMENSIONAL DATA



GB380 CROSS SECTION VIEW



GB380 END VIEW

NOTE: Contact EBI Engineering for optional motor sizes and custom pinion options.

All EBI Gear Reductions are designed and manufactured to meet all requirements set forth by API Spec 2C, ABS, USCG and OSHA.

EBI PRODUCTS AND SPECIFICATIONS ARE SUBJECT TO CHANGE WITHOUT NOTICE OR OBLIGATIONS.

ELEVATING BOATS LLC

Corporate/EBI Liftboats, LLC. - 124 Finish Line Lane - Houma, LA 70360

Phone: (985) 868-9655 Fax: (985) 868-9656

EBI Cranes, LLC. - 900 St. Bernard Pkwy. - Braithwaite, LA 70040

Phone: (504) 682-5245 Fax: (504) 682-5296

EBI Machining, LLC. - 40495 West I-55 Service Road - Ponchatoula, LA 70454

Phone: (985) 386-2053 Fax: (985) 386-2084

Email: mechanicalsystems@ebi-inc.com



Website: www.ebi-inc.com



00REV000000