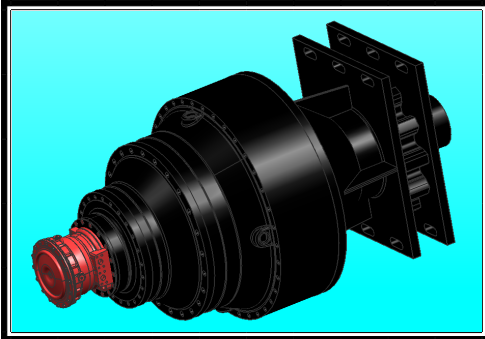




**MANUFACTURED
HYDRAULIC COMPONENTS**

GB450 Planetary Gear Reduction

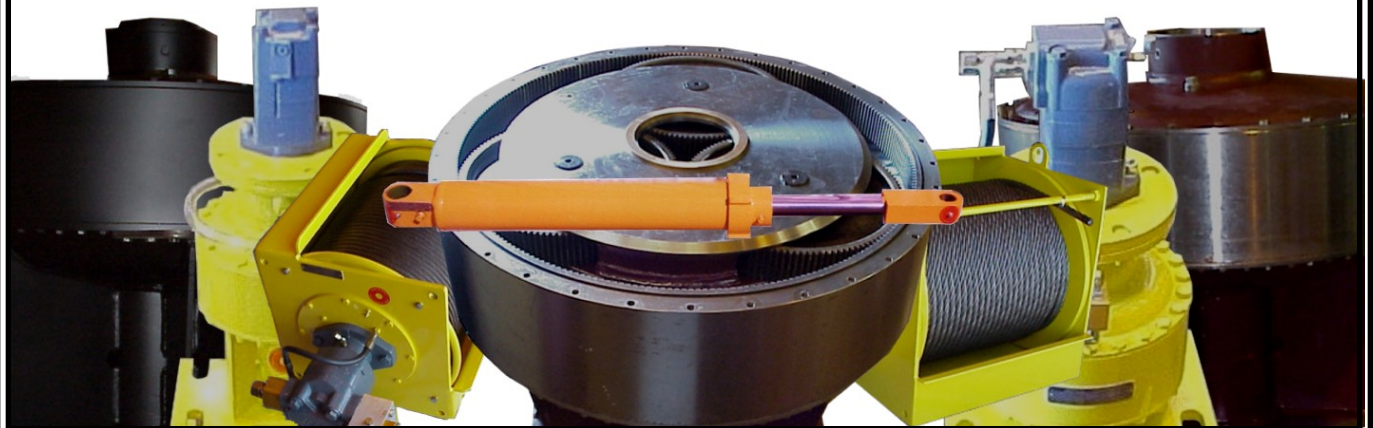


GB450 Standard Features

- * Factory assembled and tested
- * Marine coating system
- * Hydraulic motor size determined by Engineering
- * 1 Year Warranty
- * General dimensions with outboard bearing:
100-5/8”L x 52”O.D. (with hydraulic motor)
- * Models also available: GB73, TGB73, SGB73,
TGB40, SGB40, GB82 and GB380
- * Approximate weight: 18,000 lbs.

GB450 PLANETARY GEAR REDUCTION PERFORMANCE DATA

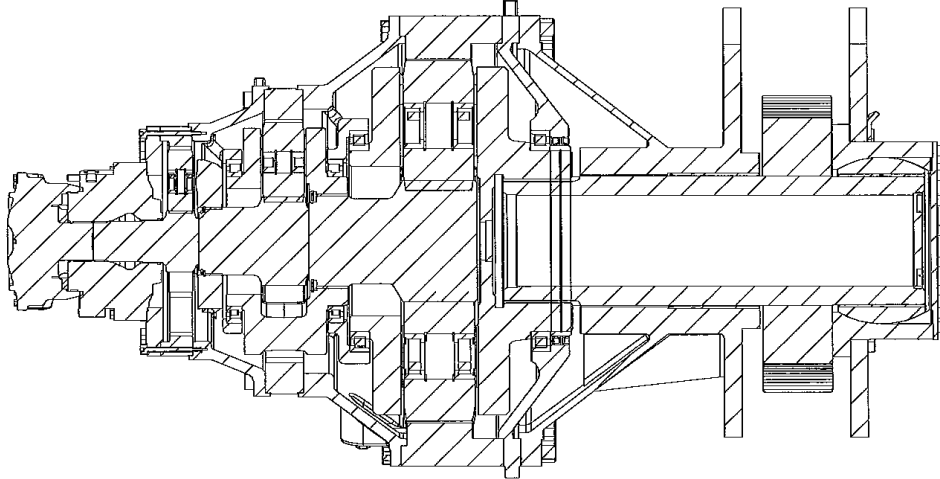
SPECIFICATIONS			
RATIO	82.5:1	OUTPUT TORQUE	6.75 MILLION IN. LBS.
PINION			
Do=OUTSIDE DIAMETER		D=PITCH DIAMETER	F=FACE WIDTH
Do=35.3”	D=30.0”	12 Tooth .400 DP	F = 8”
Pinions available in ASTM A514Q material.			



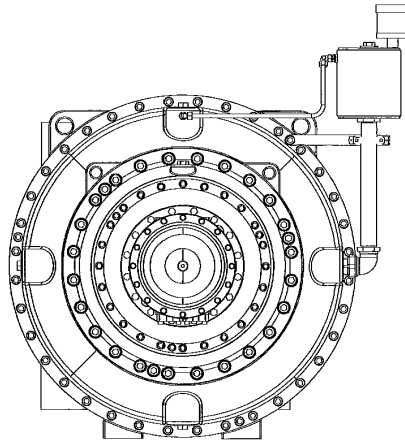
EBI[®]

MANUFACTURED HYDRAULIC COMPONENTS

GB450 PLANETARY GEAR REDUCTION DIMENSIONAL DATA



GB450 CROSS SECTION VIEW



GB450 END VIEW

NOTE: Contact EBI Engineering for optional motor sizes and custom pinion options.

All EBI Gear Reductions are designed and manufactured to meet all requirements set forth by API Spec 2C, ABS, USCG and OSHA.

EBI PRODUCTS AND SPECIFICATIONS ARE SUBJECT TO CHANGE WITHOUT NOTICE OR OBLIGATIONS.

ELEVATING BOATS LLC

Corporate/EBI Liftboats, LLC. - 124 Finish Line Lane - Houma, LA 70360

Phone: (985) 868-9655 Fax: (985) 868-9656

EBI Cranes, LLC. - 900 St. Bernard Pkwy. - Braithwaite, LA 70040

Phone: (504) 682-5245 Fax: (504) 682-5296

EBI Machining, LLC. - 40495 West I-55 Service Road - Ponchatoula, LA 70454

Phone: (985) 386-2053 Fax: (985) 386-2084

Email: mechanicalsystems@ebi-inc.com



Website: www.ebi-inc.com



00REV000000