



**MANUFACTURED
HYDRAULIC COMPONENTS**

GB73 Planetary Gear Reduction

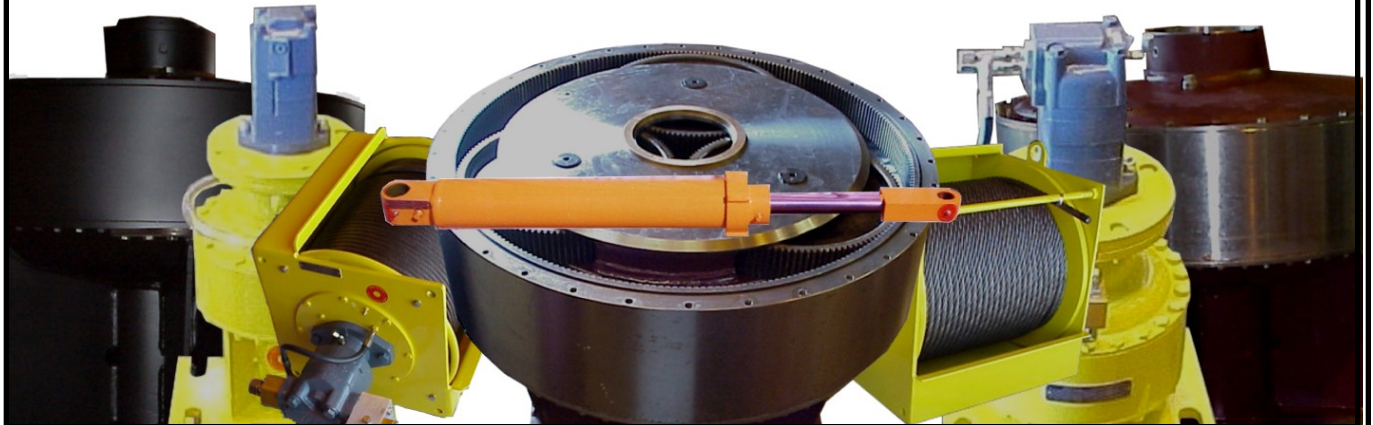


GB73 STANDARD FEATURES

- * Factory assembled and tested
- * Marine coating system
- * Hydraulic motor size determined by Engineering
- * 1 Year Warranty
- * General dimensions with outboard bearing: 31”L x 20 1/2”W x 20 1/2”H (without hydraulic motor)
- * Models also available: TGB73, SGB73, TGB40, SGB40, GB82, GB380 and GB450

GB73 PLANETARY GEAR REDUCTION PERFORMANCE DATA

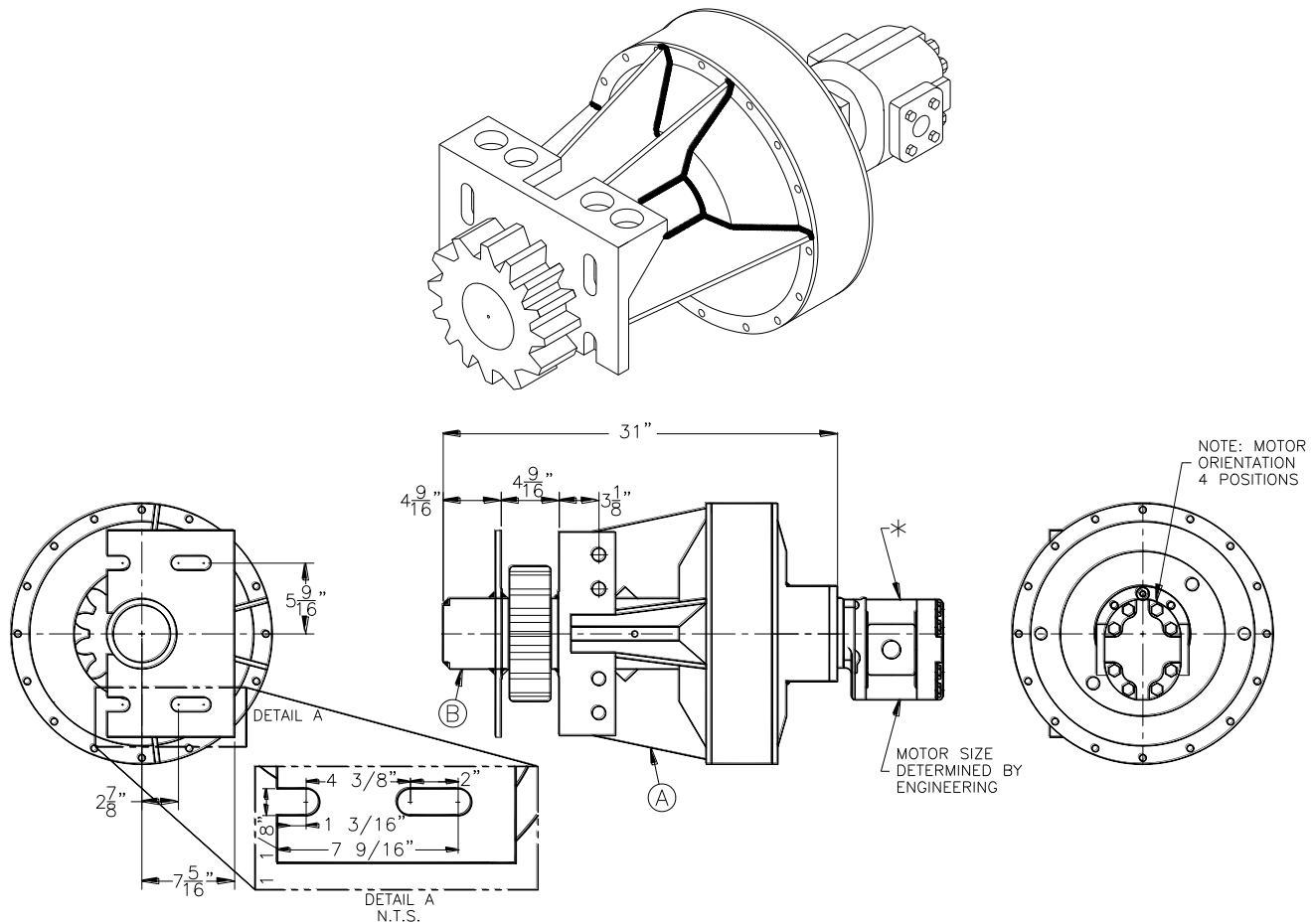
SPECIFICATIONS		
RATIO		73.469:1
OUTPUT TORQUE (CONTINUOUS)		160,000 IN. LBS.
OUTPUT TORQUE (INTERMITTENT)		200,000 IN. LBS.
PINION		
Do=OUTSIDE DIAMETER D=PITCH DIAMETER F=FACE WIDTH		
Do=9 5/8”	D=8.0000”	12 Tooth 1 1/2 DP F = 3 1/4”
Pinion available in SAE 1045 or ASTM A514Q material.		
HOUSINGS		
OPTION	PART NO.	DESCRIPTION
A	3343-3000011	12 5/8" MAIN GEARBOX HOUSING
B	3343-3000012	OUTBOARD BEARING HOUSING
MOTOR: SAE “C” FACE, 14T SPLINE SHAFT		



EBI[®]

MANUFACTURED HYDRAULIC COMPONENTS

GB73 PLANETARY GEAR REDUCTION DIMENSIONAL DATA



NOTE: Contact EBI Engineering for optional motor sizes and custom pinion options.
All EBI Gear Reductions are designed and manufactured to meet all requirements set forth by
API Spec 2C, ABS, USCG and OSHA.

EBI PRODUCTS AND SPECIFICATIONS ARE SUBJECT TO CHANGE WITHOUT NOTICE OR OBLIGATIONS.

ELEVATING BOATS LLC

Corporate/EBI Liftboats, LLC. - 124 Finish Line Lane - Houma, LA 70360
Phone: (985) 868-9655 Fax: (985) 868-9656

EBI Cranes, LLC. - 900 St. Bernard Pkwy. - Braithwaite, LA 70040
Phone: (504) 682-5245 Fax: (504) 682-5296

EBI Machining, LLC. - 40495 West I-55 Service Road - Ponchatoula, LA 70454
Phone: (985) 386-2053 Fax: (985) 386-2084

Email: postmaster@ebi-inc.com



Website: www.ebi-inc.com



06REV081710