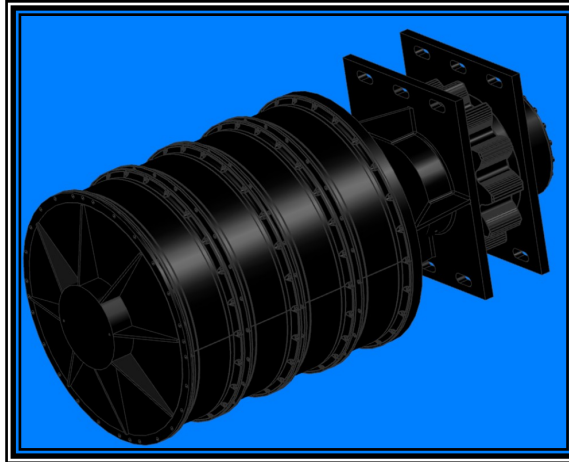




**MANUFACTURED  
HYDRAULIC COMPONENTS**

## ROLLING CHOCK ASSEMBLY

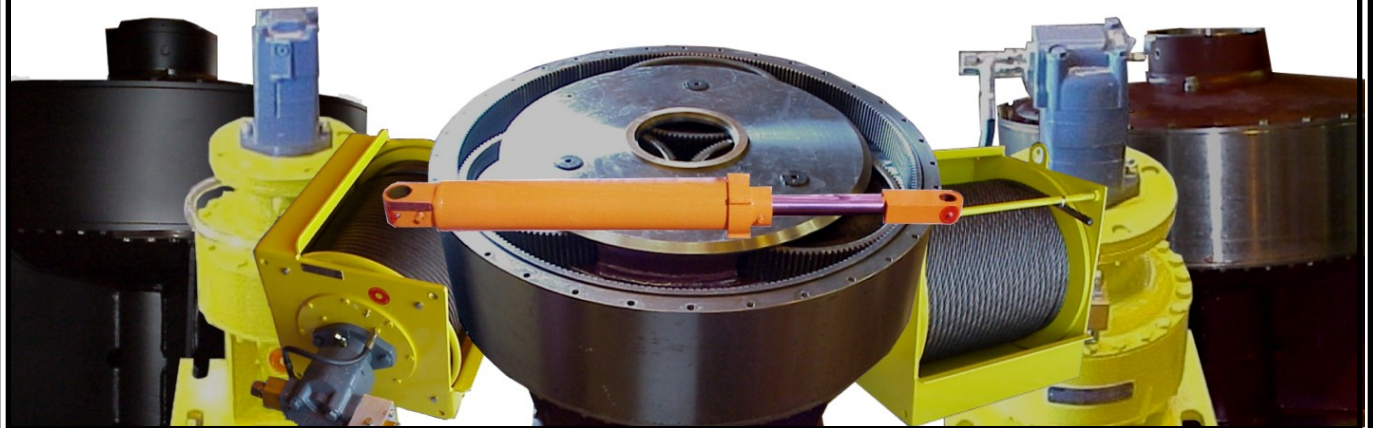


### ROLLING CHOCK STANDARD FEATURES

- \* Factory assembled and tested
- \* Marine coating system
- \* 1 Year Warranty
- \* General dimensions with outboard bearing: 98" Long X 53 5/8" O.D.
- \* Approximate weight: 18,000 lbs.

### ROLLING CHOCK PERFORMANCE DATA

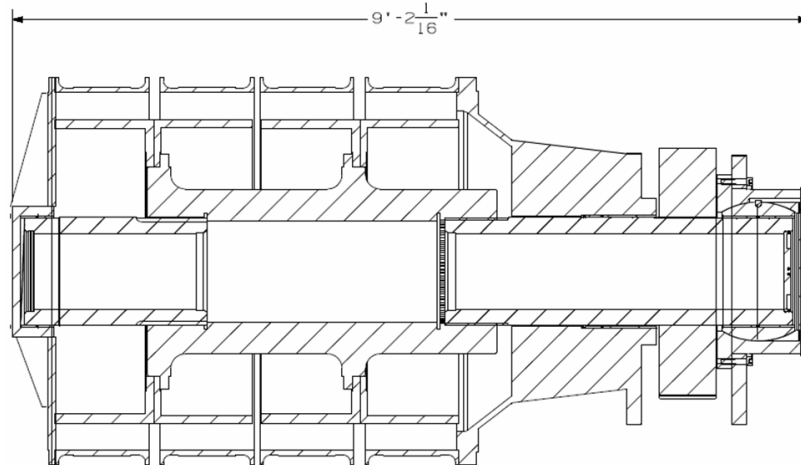
| SPECIFICATIONS                                    |                       |        |
|---------------------------------------------------|-----------------------|--------|
| EBI PART NUMBER                                   | 0773000003            |        |
| STATIC TORQUE                                     | 13.5 MILLION IN. LBS. |        |
| PINION                                            |                       |        |
| Do=OUTSIDE DIAMETER D=PITCH DIAMETER F=FACE WIDTH |                       |        |
| Do=35.3" D=30.0"                                  | 12 Tooth .400 DP      | F = 8" |
| Pinions available in ASTM A514Q material.         |                       |        |



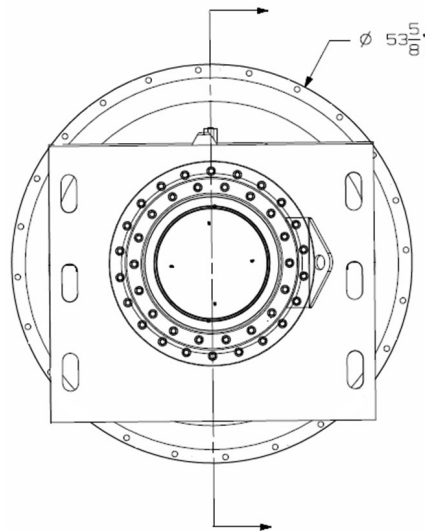
# EBI<sup>®</sup>

## MANUFACTURED HYDRAULIC COMPONENTS

### ROLLING CHOCK DIMENSIONAL DATA



ROLLING CHOCK SECTION VIEW



ROLLING CHOCK END VIEW

**NOTE:** Contact EBI Engineering for optional motor sizes and custom pinion options.

All EBI Gear Reductions are designed and manufactured to meet all requirements set forth by API Spec 2C, ABS, USCG and OSHA.

EBI PRODUCTS AND SPECIFICATIONS ARE SUBJECT TO CHANGE WITHOUT NOTICE OR OBLIGATIONS.

### ELEVATING BOATS LLC

Corporate/EBI Liftboats, LLC. - 124 Finish Line Lane - Houma, LA 70360  
Phone: (985) 868-9655 Fax: (985) 868-9656

EBI Cranes, LLC. - 900 St. Bernard Pkwy. - Braithwaite, LA 70040  
Phone: (504) 682-5245 Fax: (504) 682-5296

EBI Machining, LLC. - 40495 West I-55 Service Road - Ponchatoula, LA 70454  
Phone: (985) 386-2053 Fax: (985) 386-2084

Email: [postmaster@ebi-inc.com](mailto:postmaster@ebi-inc.com)



Website: [www.ebi-inc.com](http://www.ebi-inc.com)



00REV000000