



**MANUFACTURED
HYDRAULIC COMPONENTS**

SGB40 Planetary Gear Reduction

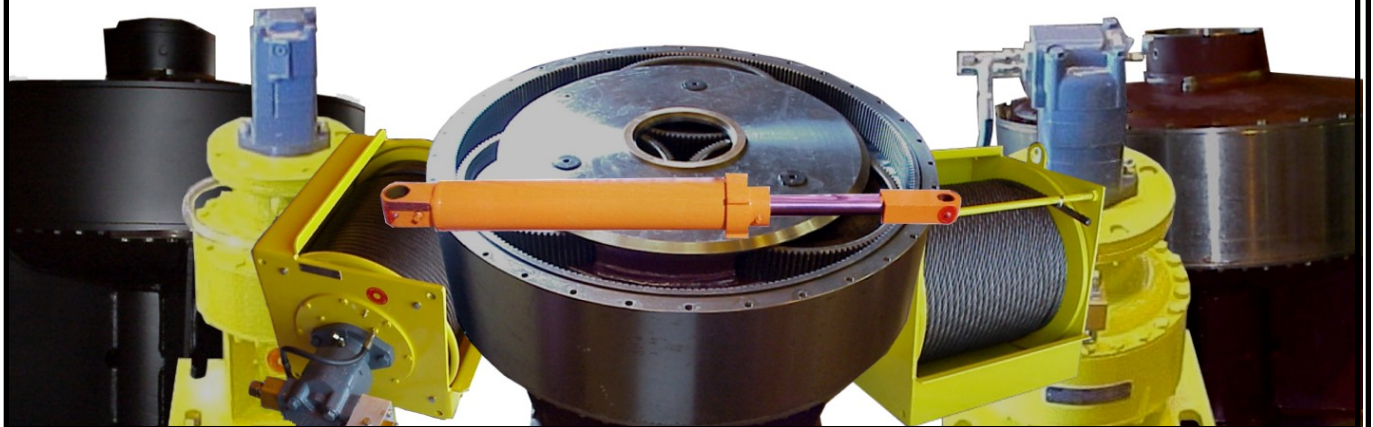


SGB40 STANDARD FEATURES

- * Factory assembled and tested
- * Marine coating system
- * Hydraulic motor size determined by Engineering
- * 1 Year Warranty
- * General dimensions with outboard bearing:
19 15/16”L x 13 1/2”W x 10 13/16”H
(without hydraulic motor)
- * Models also available: GB73, SGB73,
TGB73, TGB40, GB82 and GB430

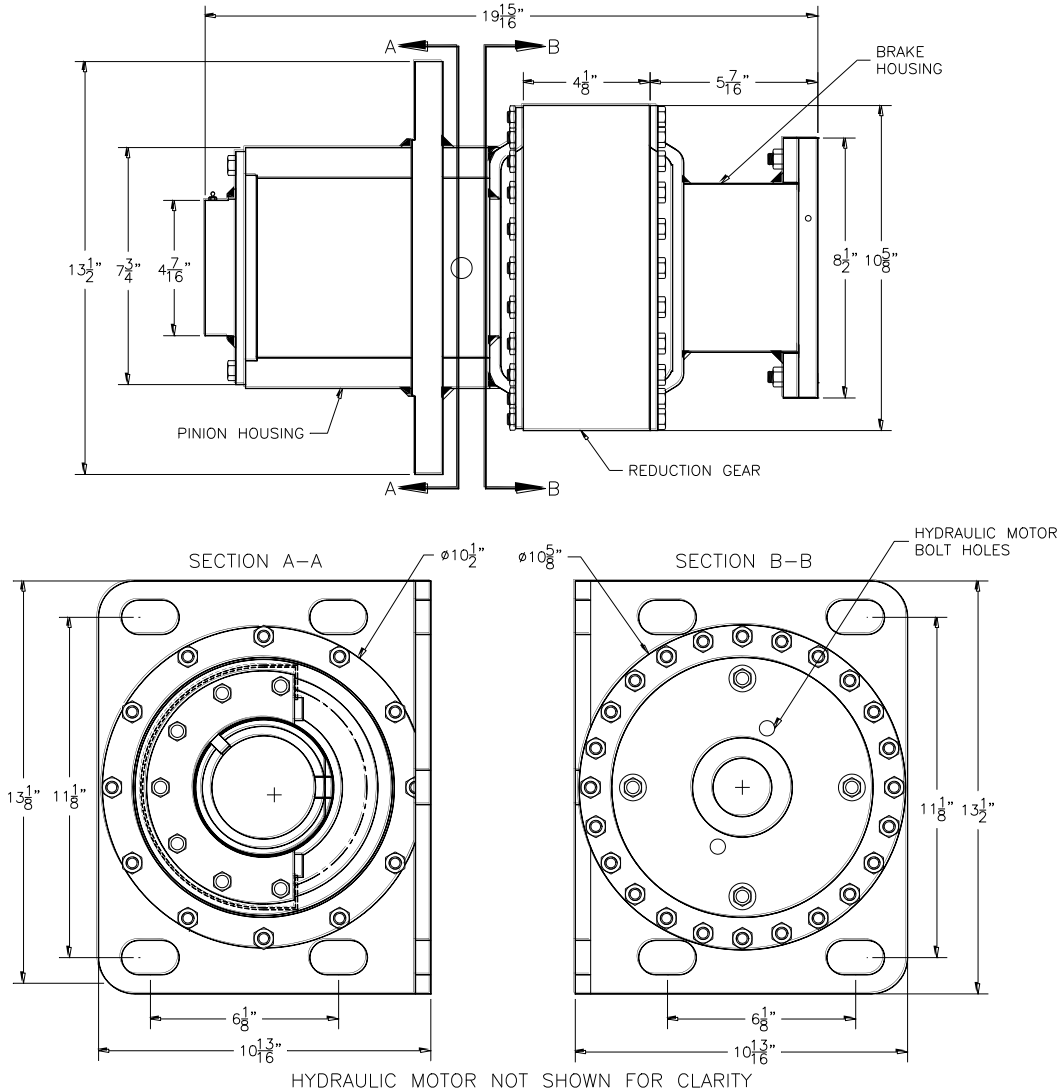
SGB40 PLANETARY GEAR REDUCTION PERFORMANCE DATA

SPECIFICATIONS		
RATIO	39.96:1	
OUTPUT TORQUE (CONTINUOUS)	50,000 IN. LBS.	
OUTPUT TORQUE (INTERMITTENT)	100,000 IN. LBS.	
PINION		
Do=OUTSIDE DIAMETER D=PITCH DIAMETER F=FACE WIDTH		
Do=5 7/16” D=4.800”	12 Tooth 2 1/2 DP	F = 3 1/4”
Pinions available in SAE 1045 or ASTM A514Q material.		
AVAILABLE OPTIONS		
OPTION	PART NO.	DESCRIPTION
A	3343-3000001	9 3/16" GEARBOX HOUSING
B	3343-0450010	OUTBOARD BEARING HOUSING
		MOTOR: SAE "A" FACE, 14T SPLINE SHAFT



EBI *MANUFACTURED HYDRAULIC COMPONENTS*

SGB40 PLANETARY GEAR REDUCTION DIMENSIONAL DATA



NOTE: Contact EBI Engineering for optional motor sizes and custom pinion options.
 All EBI Gear Reductions are designed and manufactured to meet all requirements set forth by API Spec 2C, ABS, USCG and OSHA.

EBI PRODUCTS AND SPECIFICATIONS ARE SUBJECT TO CHANGE WITHOUT NOTICE OR OBLIGATIONS.

ELEVATING BOATS LLC

Corporate/EBI Liftboats, LLC. - 124 Finish Line Lane - Houma, LA 70360
 Phone: (985) 868-9655 Fax: (985) 868-9656

EBI Cranes, LLC. - 900 St. Bernard Pkwy. - Braithwaite, LA 70040
 Phone: (504) 682-5245 Fax: (504) 682-5296

EBI Machining, LLC. - 40495 West I-55 Service Road - Ponchatoula, LA 70454
 Phone: (985) 386-2053 Fax: (985) 386-2084

Email: postmaster@ebi-inc.com



Website: www.ebi-inc.com

