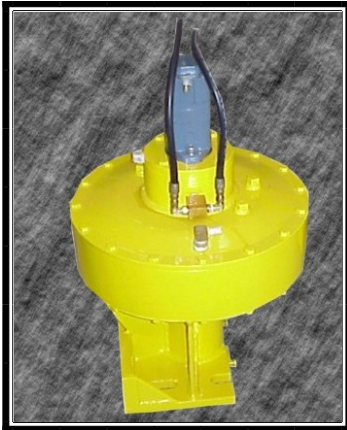




**MANUFACTURED  
HYDRAULIC COMPONENTS**

## SGB73 Planetary Gear Reduction



### SGB73 STANDARD FEATURES

- \* Factory assembled and tested
- \* Marine coating system
- \* Hydraulic motor size determined by Engineering
- \* 1 Year Warranty
- \* General dimensions: 25 7/8" L x 20 1/2" W x 20 1/2" H (without hydraulic motor)
- \* Models also available: GB73, TGB73, TGB40, SGB40, GB82, GB380 and GB450

### SGB73 PLANETARY GEAR REDUCTION PERFORMANCE DATA

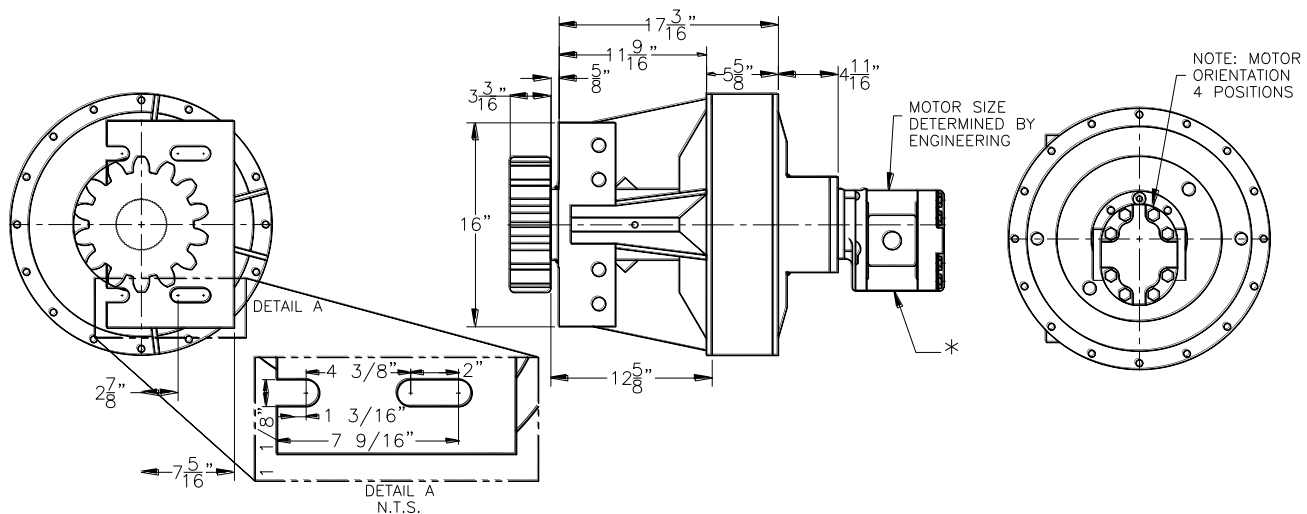
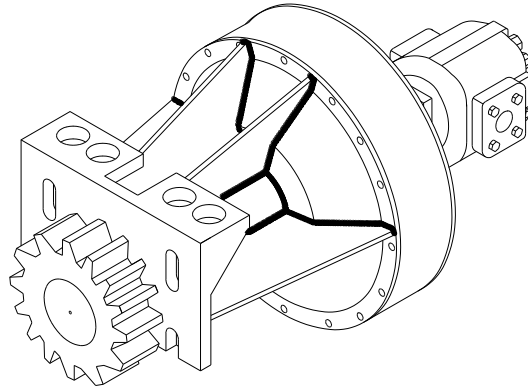
SPECIFICATIONS			
RATIO		73.469:1	
OUTPUT TORQUE (CONTINUOUS)		160,000 IN. LBS.	
OUTPUT TORQUE (INTERMITTENT)		200,000 IN. LBS.	
PINION			
Do=OUTSIDE DIAMETER		D=PITCH DIAMETER F=FACE WIDTH	
Do=9 5/8"	D=8.0000"	12 Tooth 1 1/2 DP	F = 3 3/16"
Do=8 5/8"	D=8.0000"	16 Tooth 2 DP	F = 3 3/16"
Do=7.040"	D=6.4000"	16 Tooth 2 1/2 DP	F = 3 3/16"
Pinions available in SAE 1045 or ASTM A514Q material.			
AVAILABLE OPTIONS			
OPTION	PART NO.	DESCRIPTION	
A	3343-300011	12 5/8" GEARBOX HOUSING	
		MOTOR: SAE "A" FACE, 14T SPLINE SHAFT	





**MANUFACTURED  
HYDRAULIC COMPONENTS**

**SGB73 PLANETARY GEAR REDUCTION DIMENSIONAL DATA**



**NOTE:** Contact EBI Engineering for optional motor sizes and custom pinion options.

All EBI Gear Reductions are designed and manufactured to meet all requirements set forth by API Spec 2C, ABS, USCG and OSHA.

EBI PRODUCTS AND SPECIFICATIONS ARE SUBJECT TO CHANGE WITHOUT NOTICE OR OBLIGATIONS.

**ELEVATING BOATS LLC**

Corporate/EBI Liftboats, LLC. - 124 Finish Line Lane - Houma, LA 70360

Phone: (985) 868-9655 Fax: (985) 868-9656

EBI Cranes, LLC. - 900 St. Bernard Pkwy. - Braithwaite, LA 70040

Phone: (504) 682-5245 Fax: (504) 682-5296

EBI Machining, LLC. - 40495 West I-55 Service Road - Ponchatoula, LA 70454

Phone: (985) 386-2053 Fax: (985) 386-2084

Email: [postmaster@ebi-inc.com](mailto:postmaster@ebi-inc.com)



Website: [www.ebi-inc.com](http://www.ebi-inc.com)



06REV081710