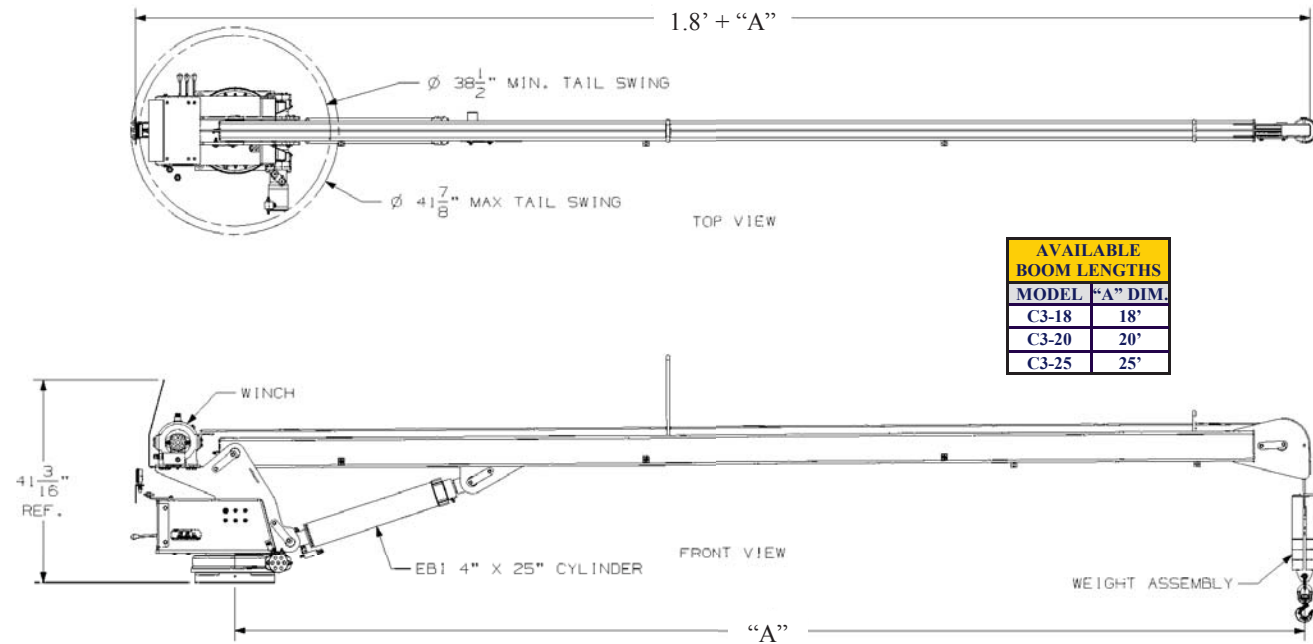




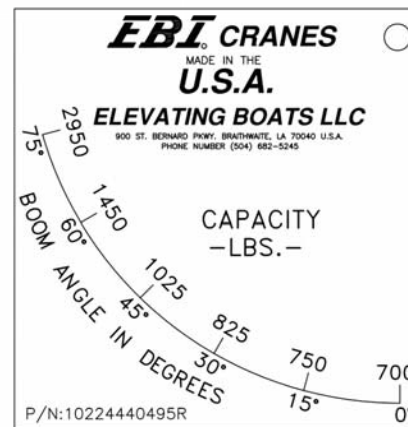
CRANES

MODEL C3 UTILITY CRANES



WORK BOAT LAUNCH & RECOVERY OPTIONS INCLUDE:

- ANTI-TWO BLOCK
- OVERLOAD PROTECTION
- SPRING APPLIED BRAKE
- WIRELESS CONTROLS



C3-18 LOAD CHART

EBI PRODUCTS AND SPECIFICATIONS ARE SUBJECT TO CHANGE WITHOUT NOTICE OR OBLIGATIONS.

EBI Cranes, LLC.



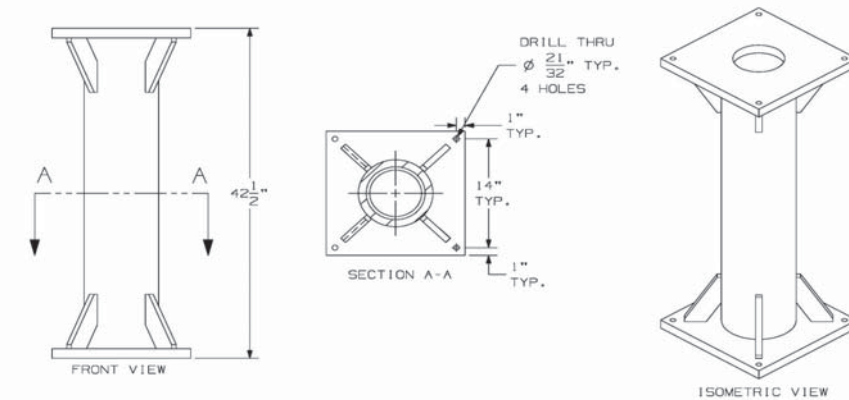
900 St. Bernard Pkwy. Braithwaite, LA 70040
 Phone: (504) 682-5245 Fax (985) 386-2084
 Email: cranes@ebi-inc.com Website: www.ebi-inc.com
 1-800-843-2895



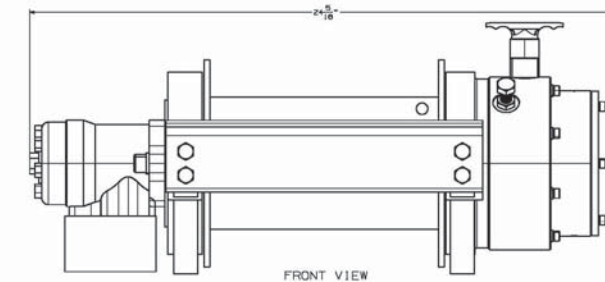
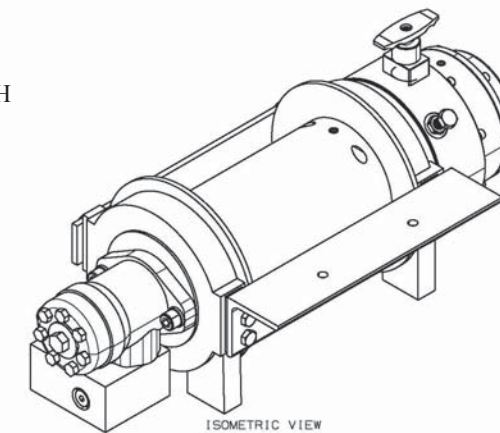
CRANES

MODEL C3 UTILITY CRANES

OPTIONAL PEDESTAL MOUNT



WPT POWER WINCH
 3000LB LINE PULL
 5/16" ϕ WIRE ROPE



EBI Cranes, LLC.



900 St. Bernard Pkwy. Braithwaite, LA 70040
 Phone: (504) 682-5245 Fax (985) 386-2084
 Email: cranes@ebi-inc.com Website: www.ebi-inc.com
 1-800-843-2895